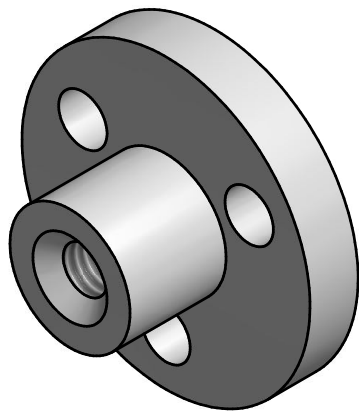


Thread code:TDBA	
Thread type	Trapezoidal
Major diameter(mm)	3.800 min
Pitch diameter(mm)	3.000...3.180
Minor diameter(mm)	2.500...2.650
Lead	1
Pitch	1
Starts	1



General tolerances ISO 2768-m				Work piece edges DIN 6784		Scale:		
				Datum	Name	Material: POM		
				DRN	2018/3/22	X T	External linear nut	
				CHKD	2018/3/22	GYQ		
				APVD	2018/3/22	P.R.		
						Surface:		
						LSNUT-AAAA-TDBA		
A	-	24.07.18	X T				A3	
Rev	Description	Date	Name					