

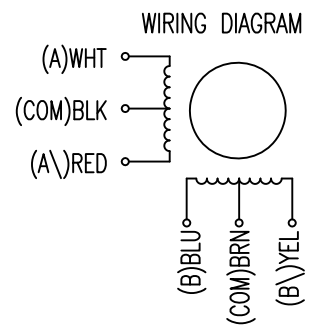
| SPECIFICATION | UNIPOLAR OR BIPOLAR-1 WINDING | BIPOLAR SERIAL |
|--|---|----------------|
| VOLTAGE (VDC) | 5.0 | 7.0 |
| AMPS/PHASE | 0.81 | 0.57 |
| RESISTANCE/PHASE (Ohms)@25°C | 6.2±10% | 12.4±10% |
| INDUCTANCE/PHASE (mH) @1KHz | 5.5±20% | 22±20% |
| HOLDING TORQUE (Nm) [lb-in] | 0.06 [0.534] | 0.092 [0.813] |
| DETENT TORQUE (Nm) [lb-in] | 0.011 [0.097] | |
| STEP ANGLE (°) | 7.5 | |
| STEP ACCURACY (NON-ACCUM) | ±7% | |
| ROTOR INERTIA (Kg-m ²) [lb-in ²] | 9.6x10 ⁻⁷ [3.28x10 ⁻³] | |
| WEIGHT (Kg) [lb] | 0.13 [0.287] | |
| TEMPERATURE RISE: MAX.80°C (MOTOR STANDSTILL; FOR 2 PHASE ENERGIZED) | | |
| AMBIENT TEMPERATURE -10°C ~ 40°C [14°F ~ 104°F] | | |
| INSULATION RESISTANCE 100 MOhm (UNDER NORMAL TEMPERATURE AND HUMIDITY) | | |
| INSULATION CLASS E 120° [248°F] | | |
| DIELECTRIC STRENGTH 650VAC FOR 2 SEC. (BETWEEN THE MOTOR COILS AND THE MOTOR CASE) | | |
| AMBIENT HUMIDITY MAX. 85% (NO CONDENSATION) | | |

| TYPE OF CONNECTION (EXTERN) | | | MOTOR | | |
|-----------------------------|----------|--------|-------------------|-------|---------|
| UNIPOLAR | BIPOLAR | | CONNECTOR PIN NO. | LEADS | WINDING |
| | 1WINDING | SERIAL | | | |
| A --- | A --- | A --- | 1 | WHT | A --- |
| COM --- | COM --- | --- | 5 | BLK | COM --- |
| A\ --- | --- | A\ --- | 3 | RED | A\ --- |
| B --- | B --- | B --- | 2 | BLU | B --- |
| COM --- | COM --- | --- | 6 | BRN | COM --- |
| B\ --- | --- | B\ --- | 4 | YEL | B\ --- |

for >speed ←---|
for <speed ←---|

FULL STEP 2 PHASE-Ex.,
WHEN FACING MOUNTING END (X)

| STEP | A | B | A\ | B\ | | CCW |
|------|---|---|----|----|---|-----|
| 1 | + | + | - | - | ↓ | ↑ |
| 2 | - | + | + | - | | |
| 3 | - | - | + | + | ↑ | ↓ |
| 4 | + | - | - | + | | |



| | | | |
|-----|-------------------|----------|------|
| 4 | NEW TOLERANCE | 25.07.13 | A.S. |
| 3 | NEW TOLERANCE | 10.11.11 | J.W. |
| 5 | REMOVE LOAD SPEC. | 28.02.14 | J.D. |
| REV | DESCRIPTION | DATE | APVD |



SP4275M0806-A

| | | | |
|------------|-----------|-------|----------|
| SCALE FREE | APVD | S.Ha. | 12.03.07 |
| X ±0.5 | CHKD | | |
| 1PL ±0.2 | DRN | J.W. | 06.03.07 |
| 2PL ±0.1 | SIGNATURE | | DATE |
| ANGLE ±30' | | | |

STEPPING MOTOR

DWG.NO
SP4275M0806-A