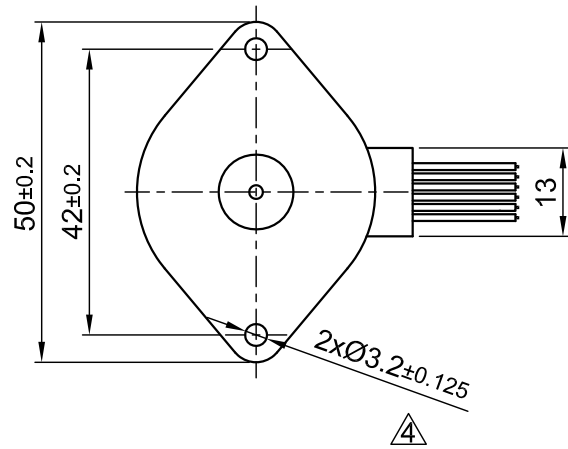
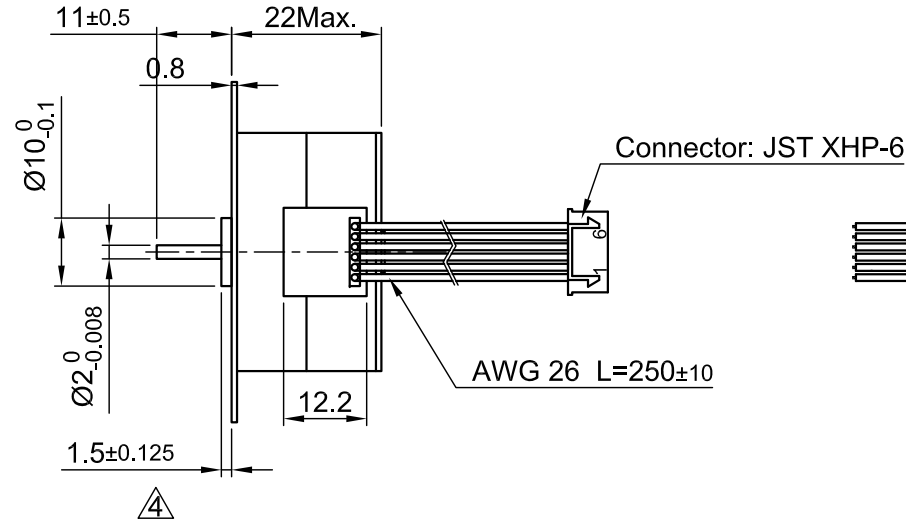


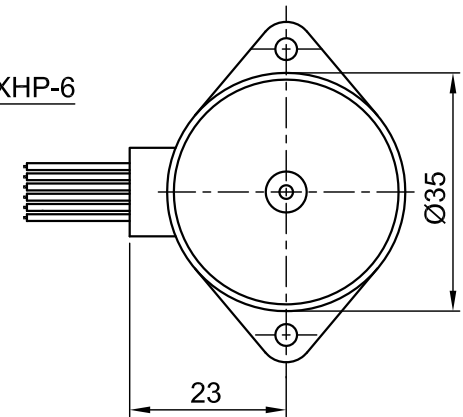
Front view and mounting



Side view



Rear view



SPECIFICATION	UNIPOLAR OR BIPOLAR-1 WINDING	BIPOLAR SERIAL
VOLTAGE (VDC)	5.0	7.0
AMPS/PHASE	0.86	0.61
RESISTANCE/PHASE (Ohms)@25°C	5.8±10%	11.6±10%
INDUCTANCE/PHASE (mH) @1KHz/3	3.2±20%	12.8±20%
HOLDING TORQUE (Nm) [lb-in]	0.055 [0.487]	0.078 [0.689]
DETENT TORQUE (Nm) [lb-in]	1.25x10 ⁻² [0.111]	
STEP ANGLE (°)	7.5	
STEP ACCURACY (NON-ACCUM)	±7%	
ROTOR INERTIA (Kg-m ²) [lb-in ²]	7.5x10 ⁻⁷ [1.71x10 ⁻³]	
WEIGHT (Kg) [lb]	0.09 [0.198]	
TEMPERATURE RISE: MAX.80°C (MOTOR STANDSTILL; FOR 2 PHASE ENERGIZED)		
AMBIENT TEMPERATURE -10°~ 40°C [14°F ~ 104°F] 3		
INSULATION RESISTANCE 100 MOhm (UNDER NORMAL TEMPERATURE AND HUMIDITY)		
INSULATION CLASS E 120° [248°F] 3		
DIELECTRIC STRENGTH 500VAC FOR 1 MIN. (BETWEEN THE MOTOR COILS AND THE MOTOR CASE)		
AMBIENT HUMIDITY MAX. 85% (NO CONDENSATION)		

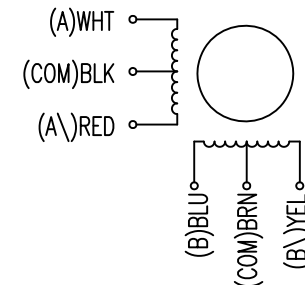
TYPE OF CONNECTION (EXTERN)			MOTOR		
UNIPOLAR	BIPOLAR		CONNECTOR PIN NO.	LEADS	WINDING
	1WINDING	SERIAL			
A ---	A ---	A ---	1	WHT	A
COM ---	COM ---	---	5	BLK	COM
A\ ---	---	A\ ---	3	RED	A\
B ---	B ---	B ---	2	BLU	B
COM ---	COM ---	---	6	BRN	COM
B\ ---	---	B\ ---	4	YEL	B\

for >speed ←---|
for <speed ←---|

FULL STEP 2 PHASE-Ex.,
WHEN FACING MOUNTING END (X)

STEP	A	B	A\	B\		CCW
1	+	+	-	-	↓	↑
2	-	+	+	-		
3	-	-	+	+	↑	↓
4	+	-	-	+		

WIRING DIAGRAM



4	NEW TOLERANCES	25.07.13	A.S.
3	DRAWING UPDATED	22.02.10	J.W.
5	REMOVE LOAD SPEC.	28.02.14	J.D.
REV	DESCRIPTION	DATE	APVD



SP3575M0906-A

SCALE	FREE	APVD	S.Ha.	12.03.07
X	±0.5	CHKD		
1PL	±0.2	DRN	J.W.	23.11.06
2PL	±0.1	SIGNATURE		DATE
ANGLE	±30'			

STEPPING MOTOR

DWG.NO

SP3575M0906-A