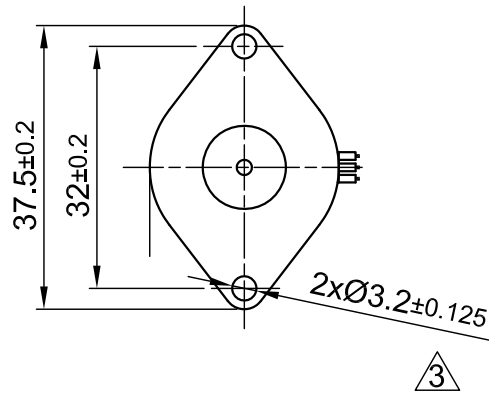
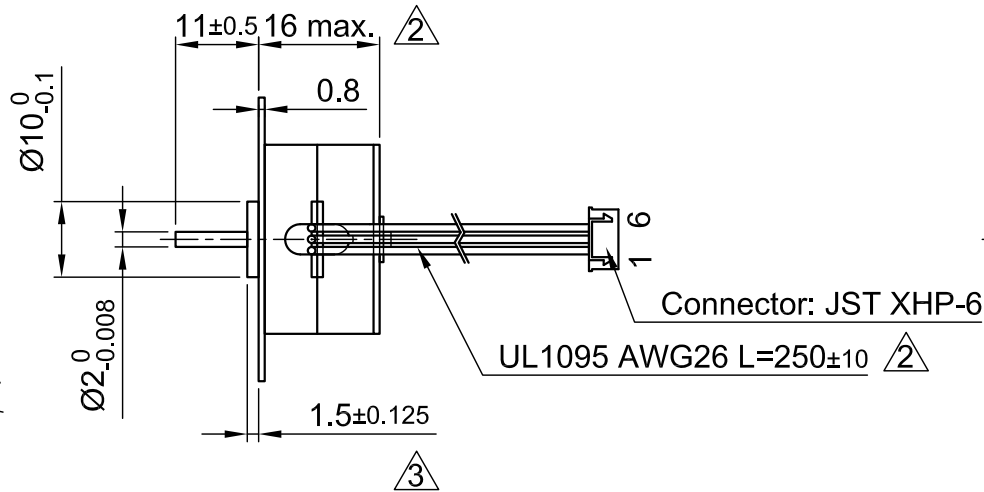


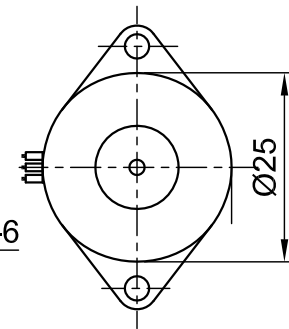
Front view and mounting



Side view



Rear view



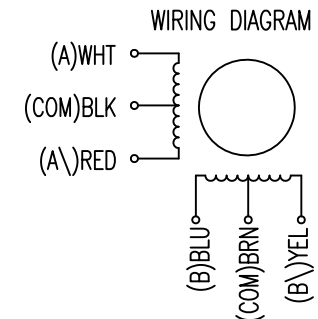
SPECIFICATION	UNIPOLAR OR BIPOLAR-1 WINDING	BIPOLAR SERIAL
VOLTAGE (VDC)	5.0	6.9
AMPS/PHASE	0.43	0.30
RESISTANCE/PHASE (Ohms)@25°C	11.5±10%	23±10%
INDUCTANCE/PHASE (mH) @1KHz	2.3±20%	9.2±20%
HOLDING TORQUE (Nm) [lb-in]	0.01 [0.089]	0.014 [0.125]
DETENT TORQUE (Nm) [lb-in]	7.5x10 ⁻³ [0.066]	
STEP ANGLE (°)	15	
STEP ACCURACY (NON-ACCUM)	±8%	
ROTOR INERTIA (Kg-m ²) [lb-in ²]	1.0x10 ⁻⁷ [3.416x10 ⁻⁴]	
WEIGHT (Kg) [lb]	0.036 [0.0794]	
TEMPERATURE RISE: MAX.80°C (MOTOR STANDSTILL; FOR 2 PHASE ENERGIZED)		
AMBIENT TEMPERATURE -10°~ 40°C [14°F ~ 104°F]		
INSULATION RESISTANCE 100 MOhm (UNDER NORMAL TEMPERATURE AND HUMIDITY)		
INSULATION CLASS B 130° [266°F]		
DIELECTRIC STRENGTH 500VAC FOR 1 MIN. (BETWEEN THE MOTOR COILS AND THE MOTOR CASE)		
AMBIENT HUMIDITY MAX. 85% (NO CONDENSATION)		

TYPE OF CONNECTION (EXTERN)			MOTOR		
UNIPOLAR	BIPOLAR		CONNECTOR PIN NO.	LEADS	WINDING
	1WINDING	SERIAL			
A ---	A ---	A ---	1	WHT	A
COM ---	COM ---		5	BLK	COM
A\ ---		A\ ---	3	RED	A\
B ---	B ---	B ---	2	BLU	B
COM ---	COM ---		6	BRN	COM
B\ ---		B\ ---	4	YEL	B\

for >speed ←---|
for <speed ←---|

FULL STEP 2 PHASE-Ex.,
WHEN FACING MOUNTING END (X)

STEP	A	B	A\	B\	CCW	CW
1	+	+	-	-	↓	↑
2	-	+	+	-	↓	↑
3	-	-	+	+	↓	↑
4	+	-	-	+	↓	↑



3	NEW TOLERANCE	25.07.13	A.S.
2	MOTOLENGTH+CABLELENGTH+AMBIENT TEM.	01.03.10	J.W.
4	REMOVE LOAD SPEC.	28.02.14	J.D.
REV	DESCRIPTION	DATE	APVD



SP2515M0406-A

SCALE	FREE	APVD	S.Hα.	12.03.07
X	±0.5	CHKD		
1PL	±0.2	DRN	J.W.	31.10.06
2PL	±0.1	SIGNATURE		DATE
ANGLE	±30'			

STEPPING MOTOR

DWG.NO

SP2515M0406-A