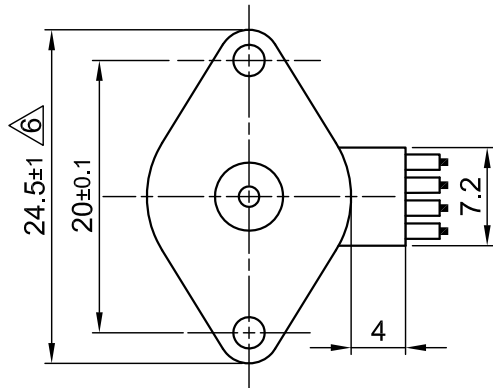
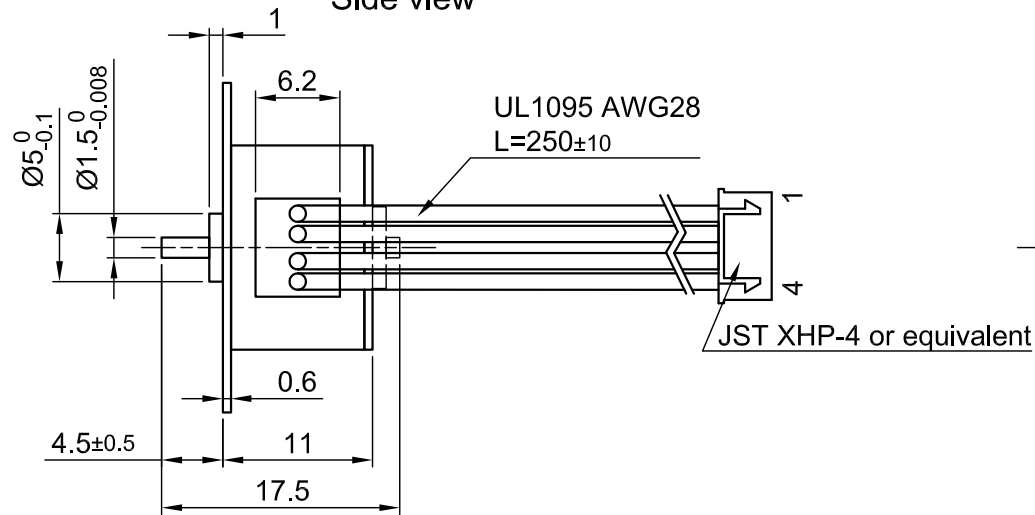


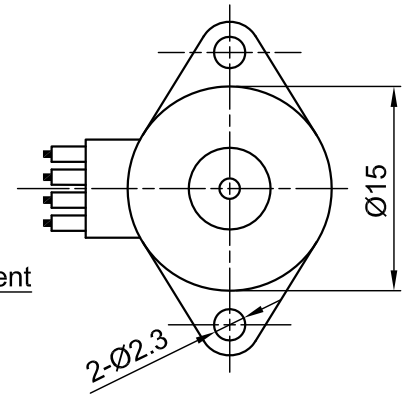
Front view and mounting



Side view



Rear view

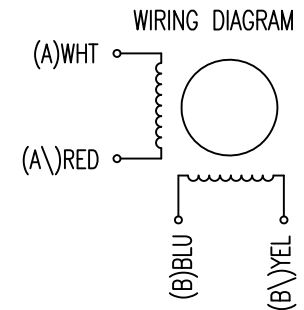


SPECIFICATION	CONNECTION	BIPOLAR
VOLTAGE (VDC)		12.0
AMPS/PHASE		0.24
RESISTANCE/PHASE (Ohms)@25°C		50±7%
INDUCTANCE/PHASE (mH) @1KHz		9.2±20%
HOLDING TORQUE (Nm) [lb-in]		2.0x10 ⁻³ [1.77x10 ⁻²]
DETENT TORQUE (Nm) [lb-in]		1.0x10 ⁻³ [8.85x10 ⁻³]
STEP ANGLE (°)		18
STEP ACCURACY (NON-ACCUM)		±7%
ROTOR INERTIA (Kg-m ²) [lb-in ²]		1.0x10 ⁻⁷ [3.416x10 ⁻⁴]
WEIGHT (Kg) [lb]		0.012 [0.026]
TEMPERATURE RISE: MAX.80°C (MOTOR STANDSTILL; FOR 2 PHASE ENERGIZED)		
AMBIENT TEMPERATURE -10°C ~ 40°C [14°F ~ 104°F]		
INSULATION RESISTANCE 100 MOhm (UNDER NORMAL TEMPERATURE AND HUMIDITY)		
INSULATION CLASS E 120° [248°F]		
DIELECTRIC STRENGTH 500VAC FOR 1 MIN. (BETWEEN THE MOTOR COILS AND THE MOTOR CASE)		
AMBIENT HUMIDITY MAX. 85% (NO CONDENSATION)		

TYPE OF CONNECTION (EXTERN)	MOTOR		
	BIPOLAR	CONNECTOR PIN NO.	LEADS WINDING
A —	1	WHT	A
A\ —	2	RED	A\
B —	3	BLU	B
B\ —	4	YEL	B\

FULL STEP 2 PHASE-Ex.,
WHEN FACING MOUNTING END (X)

STEP	A	B	A\	B\	CCW
1	+	+	-	-	
2	-	+	+	-	
3	-	-	+	+	
4	+	-	-	+	



7	NEW VALUES OF HOLDING/DETENT TOR.	06.12.12	A.S.
6	TOLERANCE ADD	29.08.12	J.W.
8	REMOVE LOAD SPEC.	28.02.14	J.D.
REV	DESCRIPTION	DATE	APVD



SP1518M0204-A

SCALE FREE	APVD	S.Hα.	12.03.07
X ±0.5	CHKD		
1PL ±0.2	DRN	J.W.	26.10.06
2PL ±0.1	SIGNATURE		DATE
ANGLE ±30'			

STEPPING MOTOR

DWG.NO

SP1518M0204-A