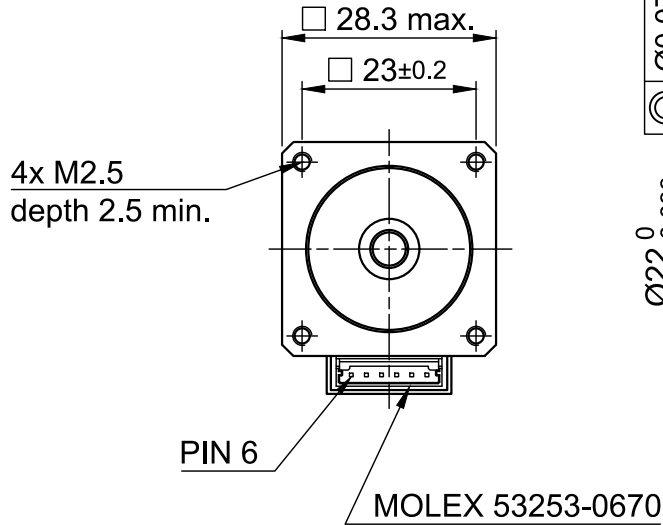
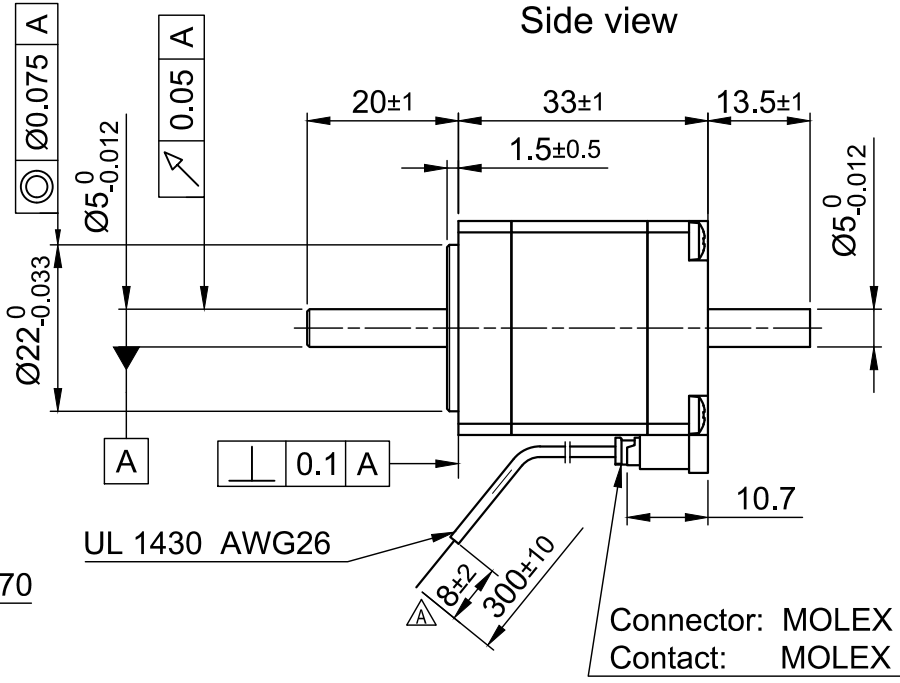


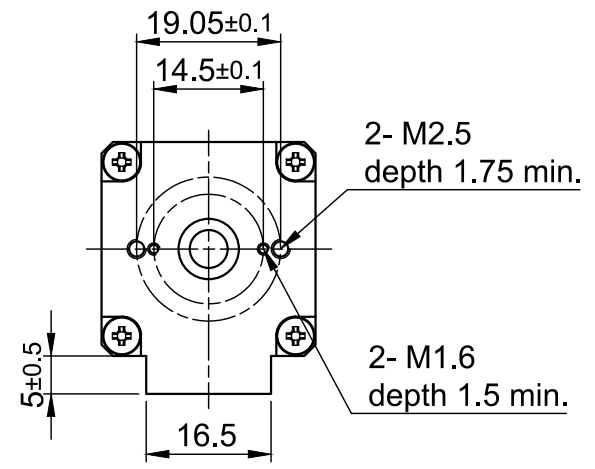
Front view and mounting



Side view

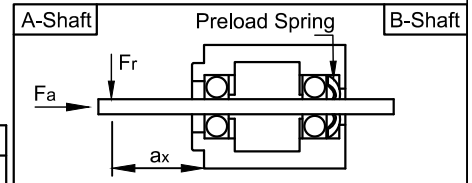


Rear view



Connector: MOLEX 51065-0600
Contact: MOLEX 50212-8000

MOTOR SPECIFICATION		
Voltage	V DC	1.95 \triangle_B
Current per Winding	A	1.5
Resistance per Phase (25°C) ±15%	Ω	1.3
Inductance per Phase (1 kHz) ±20%	mH	1.0
Holding Torque	Nm	0.09
Step Angle	±5% °	1.8
Rotor Inertia	kg m ²	0.9 x 10 ⁻⁶



TYPE OF CONNECTION			
Series	Pin No.	Wire Col.	Winding
A	1	BK	
A\	3	GN	
B	4	RD	
B\	6	BU	

Max. Axial Force F_a	N	7
Max. Radial Force F_r ($a_1 = 5$ mm)	N	m.28
Axial Play $F_a = 4$ N	mm	0.08
Radial Play $F_r = 4$ N	mm	0.02

GENERAL MOTOR SPECIFICATION		
Ambient Temperature	°C	Min. -20 Max. 50
Max. Temperature Rise (at standstill - 2 phases energized)	°C	80
ATTN: MAKE SURE TEMPERATURE OF MOTOR CASE REMAINS BELOW 100°C \triangle_A		
Max. Ambient Humidity (non condensing)	%	85
Insulation Class		B
Insulation Resistance	M Ω	100
Dielectric Strength (for 1 min - coil to case)	V AC	500

ISO 8015	ISO 1302	ISO 2768-1 cK	ISO 13715	Weight: 0.11 kg
01	added note	Schneid_A	25.01.2018	
REV	Rev. Text	Name	Rel. Date	

SC2818S1504-B		01000113	-
		State: Released	A4-Q
Rev: 01		P	

