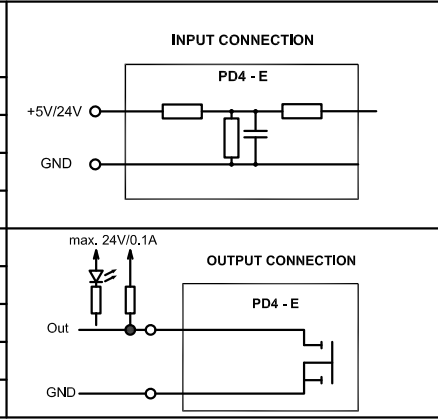


SPECIFICATION	CONNECTION	BIPOLAR
VOLTAGE (VDC)		12 TO 48
AMPS/PHASE		4.2 A
THREAD DIAMETER (mm) [in]		9.525 [0.375]
THREAD LEAD(mm) [in]		10.16 [0.4]
THRUST (N)		351.3
RESOLUTION (mm/STEP)		0.0508
MAX. SPEED (mm/sec.) AT 24V		169.3
WEIGHT (Kg) [lb]		0.95 [2.09]



PERMISSIBLE RADIAL+AXIAL FORCE

ROTOR SPRING-MOUNTED IN AXIAL DIRECTION

Please regard the application note at www.nanotec.com for further informations.

X1 CANopen IN (M12, 5-Pole, A-coding, male)	
Pin No.	Function
1	CAN_SHLD
2	+UB Logic (24V)
3	GND
4	CAN+
5	CAN-

X2 CANopen OUT (M12, 5-Pole, A-coding, female)	
Pin No.	Function
1	+UB (12-48V)
2	+UB (12-48V)
3	GND
4	GND
5	N.C.

X4 IO (M12, 12-Pole, A-coding, male)	
Pin No.	Function
1	GND
2	Input 1 (+5V/+24V)
3	Input 2 (+5V/+24V)
4	Input 3 (+5V/+24V)
5	Input 4 (+5V/+24V)
6	Input 5 (+5V/+24V)
7	Input 6 (+5V/+24V)
8	Analog Input (0-10V/0-20mA)
9	Output 1 (open drain)
10	Output 2 (open drain)
11	+5V Voltage Supply (max. 100mA)
12	+UB Logic (24V)

				Nanotec® PLUG & DRIVE			APVD	P.R.	23.11.21	PLUG&DRIVE MOTOR
							CHKD	GYQ	23.11.21	
A	-	27.01.22	GYQ	Surface specification DIN ISO 1302	General tolerances DIN ISO 2768- cH	Work piece edge DIN ISO 13715	DRN	X T	23.11.21	
REV	DESCRIPTION	DATE	DRN				SIGNATURE		DATE	PSA56S-E-2-VQKE-152