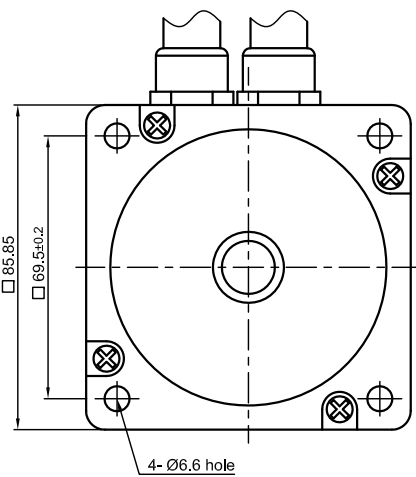
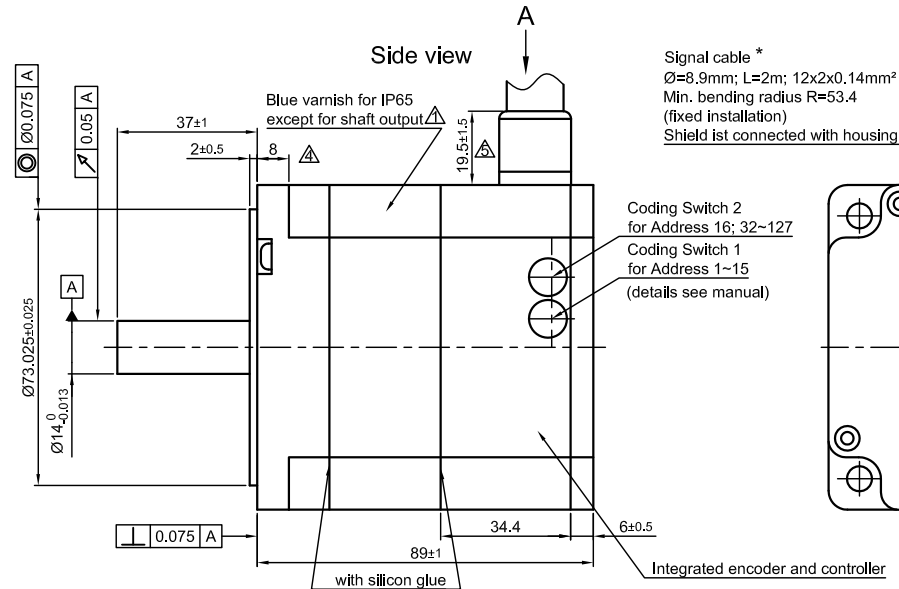


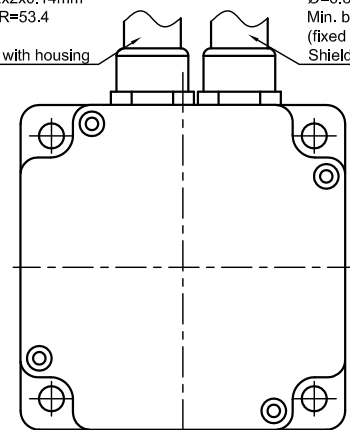
Front view and mounting



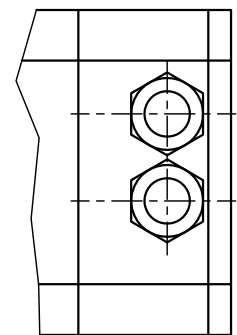
Side view



Rear view



Top view A

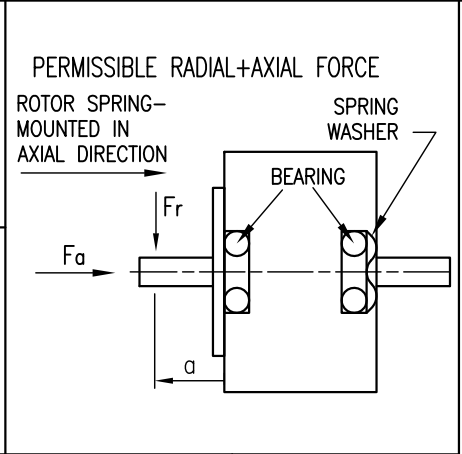
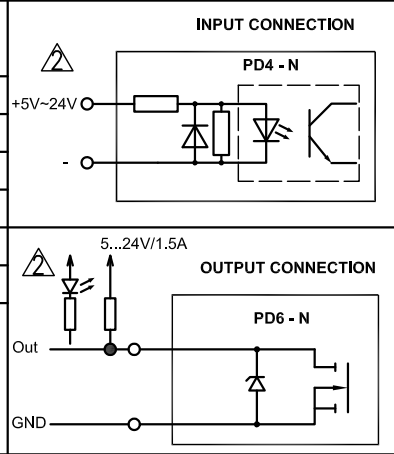


Signal cable *
 Ø=8.9mm; L=2m; 12x2x0.14mm²
 Min. bending radius R=53.4
 (fixed installation)
 Shield ist connected with housing

Power supply cable *
 Ø=6.8; L=2m; 3x1mm²
 Min. bending radius R=40.8
 (fixed installation)
 Shield is connected with housing

Coding Switch 2
 for Address 16; 32~127
 Coding Switch 1
 for Address 1~15
 (details see manual)

SPECIFICATION	CONNECTION	BIPOLAR PARALLEL
SUPPLY VOLTAGE (VDC)		24 to 48
AMPS/PHASE		* adj. to 11A (rated 7A)
HOLDING TORQUE (Nm) [lb-in]		3.2 [28.32]
DETENT TORQUE (Nm) [lb-in]		0.11 [0.974]
STEP ANGLE (°) ± ACCURACY		* 1.8 to Microstep
WEIGHT (Kg) [lb]		1.7 [3.75]
* adjustable with Nanopro.		



SIGNAL CABLE	
FUNKTION	COLOUR
INPUT 1	BK
INPUT 2	VI
INPUT 3	GY/PK
INPUT 4	RD/BU
INPUT 5	WH/GN
INPUT 6	BN/GN
INPUT ANALOG	WH/BU
OUTPUT 1	WH/YE
OUTPUT 2	YE/BN
OUTPUT 3	WH/GY

SIGNAL CABLE	
FUNKTION	COLOUR
RS485 Tx+	GY
RS485 Tx-	PK
RS485 Rx-	YE
RS485 Rx+	GN
CAN +	BN
CAN -	WH
SIGNAL GND (COM)	GY/BN
GND	BN/PK + BU
GND LOGIC	RD
+ UB LOGIC	WH/PK (20~48V)

OVERTEMPERATURE PROTECTION (ELECTRONICS): 80°C			
AMBIENT TEMPERATURE -10°~ 50°C [14°F ~ 122°F]			
INSULATION RESISTANCE 100 MΩm (UNDER NORMAL TEMPERATURE AND HUMIDITY)			
INSULATION (MOTOR) CLASS B 130° [266°F]			
DIELECTRIC STRENGTH 500VAC FOR 1 MIN. (BETWEEN THE MOTOR COILS AND THE MOTOR CASE)			
AMBIENT HUMIDITY MAX. 85% (NO CONDENSATION)			

AXIAL-FORCE Fa (N)	Fa=65			
DISTANCE a (mm)	5	10	15	20
RADIAL-FORCE Fr (N)	535	355	256	200
	AXIAL		RADIAL	
SHAFT PLAY (mm)	0.075		0.025	
AT LOAD MAX: (N)	10		5	

POWER SUPPLY CABLE	
FUNKTION	WIRE NO./COLOUR
+UB	1
GND	2
PROTECTIVE WIRE	GN/YE

⚠ ALL GND AND COM SHOULD BE CONNECTED
 * OPTIONALLY WITH POWER CHAIN CABLE/UL LICENSED. FOR SIGNAL CABLES ARE NOT ALL I/O'S AVAILABLE.

5	change dimension	13.12.16	A.S.
4	change dimension/ rework draw	01.03.16	A.S.
3	PIN COLOR	20.02.12	J.W.
REV	DESCRIPTION	DATE	DRN

Nanotec®
 PLUG & DRIVE

Surface specification DIN ISO 1302	General tolerances DIN ISO 2768- cH	Work piece edge DIN ISO 13715
---------------------------------------	--	----------------------------------

APVD	S.Ha.	13.07.09
CHKD		
DRN	J.W.	13.07.09
SIGNATURE		DATE

STEPPING MOTOR

DWG.NO
 PD6-N8918S6404