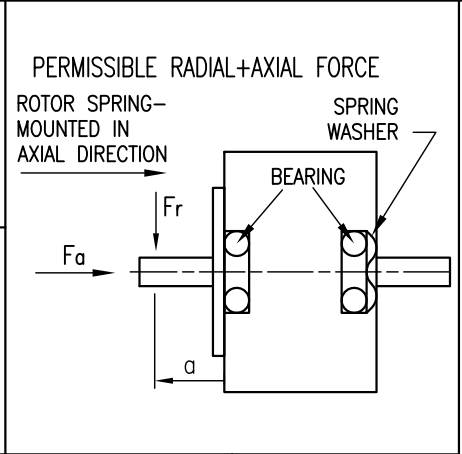
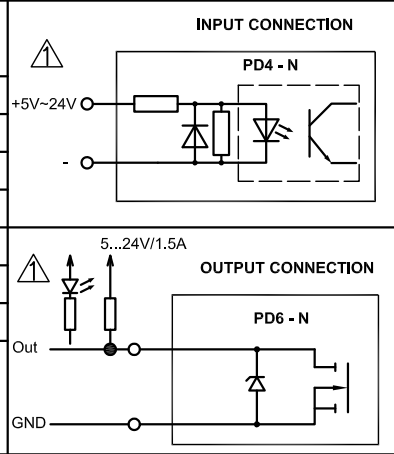


SPECIFICATION	CONNECTION	BIPOLAR PARALLEL
SUPPLY VOLTAGE (VDC)		24 to 48
AMPS/PHASE		* adj. to 11A (rated 7A)
HOLDING TORQUE (Nm) [lb-in]		9.33 [82.57]
DETENT TORQUE (Nm) [lb-in]		0.2 [1.7]
STEP ANGLE (°) ± ACCURACY		* 1.8 to Microstep
ROTOR INERTIA (Kg-m <sup>2</sup> ) [lb-in <sup>2</sup> ]		3.0x10 <sup>-4</sup> [1.024]
WEIGHT (Kg) [lb]		3.95 [8.71]

\* adjustable with Nanopro.



TWINTUS CONNECTOR 18 POLE	
Funktion	Pin No.
OUTPUT 1	1
OUTPUT 2	2
OUTPUT 3	3
ANALOG INPUT	4
+UB EXTERN	5
GND (W001)	6
RS485 Tx+	7
RS485 Tx-	8
RS485 Rx-	9
RS485 Rx+	10
INPUT 1	11
INPUT 2	12
INPUT 3	13
INPUT 4	14
INPUT 5	15
INPUT 6	16
CAN -	17
CAN +	18

TWINTUS CONNECTOR 3 POLE	
FUNKTION	PIN NO.
+UB	1
GND	2
PROTECTIVE WIRE	3

OVERTEMPERATURE PROTECTION (ELECTRONICS): 80°C	AXIAL-FORCE Fa (N)	Fa=65			
AMBIENT TEMPERATURE -10°~ 50°C [14°F ~ 122°F]	DISTANCE a (mm)	5	10	15	20
INSULATION RESISTANCE 100 MOhm (UNDER NORMAL TEMPERATURE AND HUMIDITY)	RADIAL-FORCE Fr (N)	535	355	256	200
INSULATION (MOTOR) CLASS B 130° [266°F]		AXIAL		RADIAL	
DIELECTRIC STRENGTH 500VAC FOR 1 MIN. (BETWEEN THE MOTOR COILS AND THE MOTOR CASE)	SHAFT PLAY (mm)	0.075		0.025	
AMBIENT HUMIDITY MAX. 85% (NO CONDENSATION)	AT LOAD MAX: (N)	10		5	

3	change dimension/ rework draw	01.03.16	A.S.	<b>Nanotec</b> <sup>®</sup> PLUG & DRIVE	APVD	S.H.	25.08.10	<b>STEPPING MOTOR</b>
2	INSERTS MUST BE GLUED WITH HOUSING	24.10.12	J.W.		CHKD			
2	ROTOR INERTIA SUPPLEMENTED	24.10.12	J.W.	Surface specification DIN ISO 1302	DRN	J.W.	25.08.10	DWG.NO PD6-N8918L9504-S
REV	DESCRIPTION	DATE	DRN	General tolerances DIN ISO 2768- cH				
				Work piece edge DIN ISO 13715	SIGNATURE		DATE	