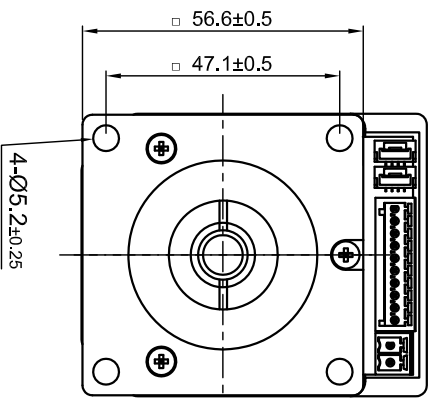
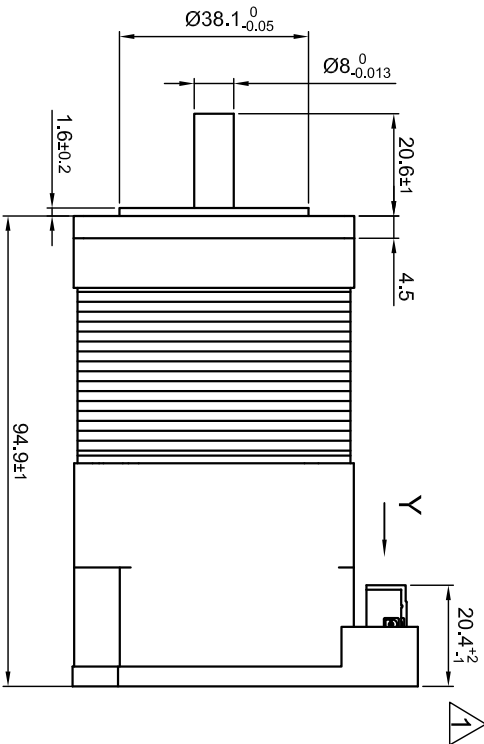


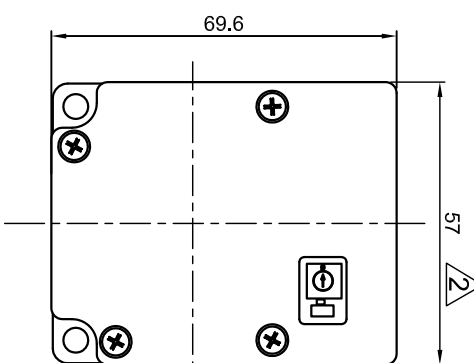
Front view and mounting



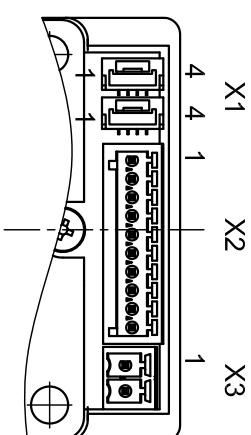
Side view



Rear view

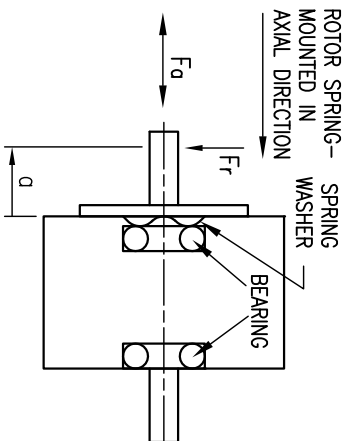


Y view



SPECIFICATION	CONNECTION
NO. OF POL./PHASE	STAR
VOLTAGE RATED (VDC)	6/3
CURRENT RATED/PEAK (A)	24
TORQUE RATED/PEAK (Nm)	8/20
TORQUE CONSTANT (Nm/A)	0.37/0.92
BACK EMF (Vrms/Krpm)	0.046
POWER RATED (W)	3.8
SPEED RATED/NO LOAD (RPM)	135
WEIGHT (Kg)	3500±10%/5000±10%
	0.87

PERMISSIBLE RADIAL+AXIAL FORCE



AXIAL-FORCE Fa (N)	15
DISTANCE a (mm)	20
RADIAL-FORCE Fr (N)	75
	AXIAL
	RADIAL
SHAFT PLAY (mm)	-0.1Mdx
AT LOAD MAX: (N)	40
	4.6

X1, JST GH-4	
PIN No.	Function
1	+UB_L009C(24V)
2	GAN+
3	GAN-
4	GND

X3, Phoenix FMC-02	
PIN No.	Function
1	+VCC(12-24V)
2	GND

X2, Phoenix MCV-10	
PIN No.	Function
1	GND
2	Analog input (0-10V)
3	+12V (Voltage Output, max:100mA)
4	Output1 (open drain)
5	Output2 (open drain)
6	Input1 (+5/+24V)
7	Input2 (+5/+24V)
8	Input3 (+5/+24V)
9	Input4 (+5/+24V)
10	GND

02	REWORK DRAW/UPDATE DATA	19.07.16	GYQ					
01	TOLERANCE OF CONNECTOR LENGTH	28.01.14	GYQ					
REV	DESCRIPTION	DATE	DRN					

 <b>PLUG &amp; DRIVE</b>		Surface specification	General tolerances	Work piece edge
		DIN ISO 1302	DIN ISO 2768-CH	DIN ISO 13715
APVD	CHKD	DRN	SIGNATURE	DATE
G.M.		GYQ		15.01.14
<b>PLUG&amp;DRIVE MOTOR</b>		DWG:NO	PD4-CB59M024035-E-08	