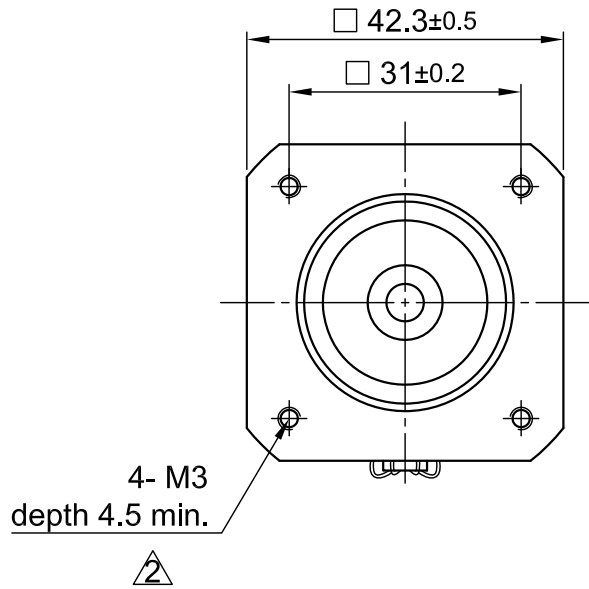
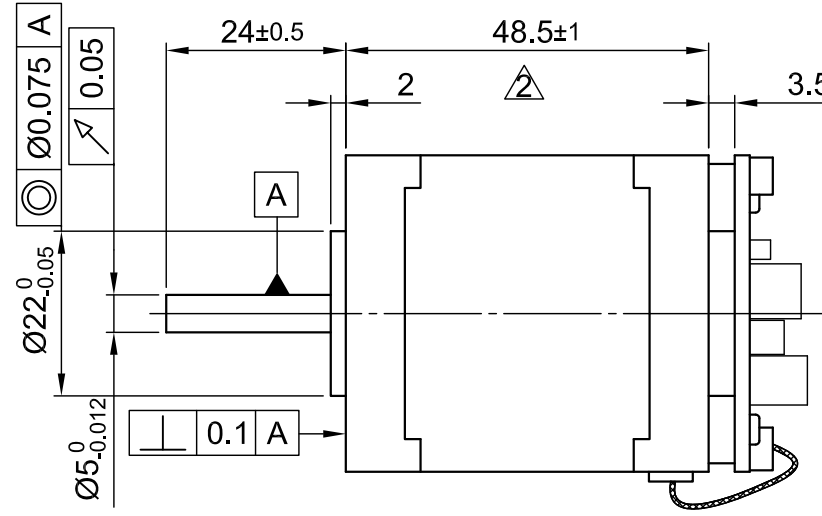


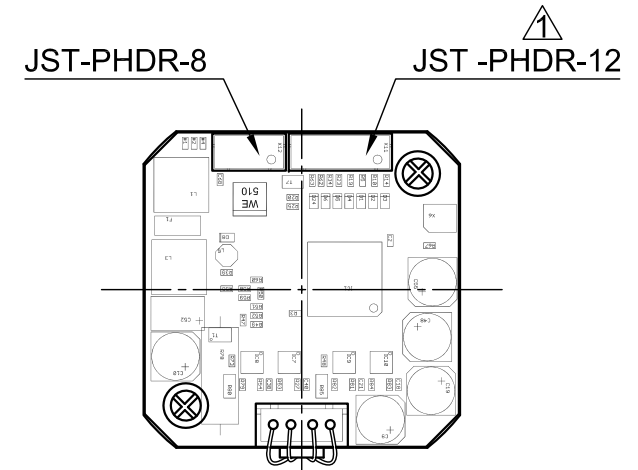
Front view and mounting



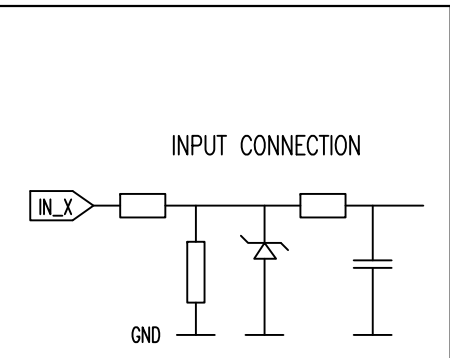
Side view



Rear view



CONNECTION	BIPOLAR
SPECIFICATION	
SUPPLY VOLTAGE (VDC)	12 TO 24
RATED CURRENT MOTOR (A)	1.8
PEAK ALLOWED CURRENT (A)	2.34 MAX.
HOLDING TORQUE (Nm) [lb-in]	0.5 [4.425]
DETENT TORQUE (Nm) [lb-in]	1.37x10 ⁻² [0.1212]
STEP ANGLE (°) ± ACCURACY	*1.8 TO MICROSTEP
WEIGHT (Kg) [lb]	0.39 [0.86]



JST-PHDR-8	
PIN No.	Function
1	GND
2	GND
3	n.c.
4	n.c.
5	CAN low (CAN-)
6	CAN high (CAN+)
7	GND
8	UB 12-24 VDC

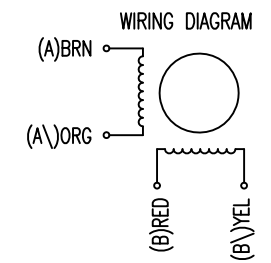
JST-PHDR-12	
PIN No.	Function
1	GND
2	Input 1
3	Input 2
4	Input 3
5	Input 4
6	Input 5
7	Input 6
8	Analog In
9	Output 1
10	Output 2
11	Output 3
12	GND

*ADJUSTABLE WITH NANOPRO.

OVERTEMPERATURE PROTECTION(ELECTRONICS): 80°	AXIAL-FORCE Fa (N)	Fa=7
AMBIENT TEMPERATURE 0 ~ 40°C	DISTANCE a (mm)	5 10 15 20
INSULATION RESISTANCE 100 MOhm (UNDER NORMAL TEMPERATURE AND HUMIDITY)	RADIAL-FORCE Fr (N)	58 36 26 20
INSULATION CLASS B 130° [266°F]		AXIAL RADIAL
DIELECTRIC STRENGTH 500VAC FOR 1 MIN. (BETWEEN THE MOTOR COILS AND THE MOTOR CASE)	SHAFT PLAY (mm)	0.08 0.02
AMBIENT HUMIDITY MAX. 85% (NO CONDENSATION)	AT LOAD MAX: (N)	4.5 4.5

FULL STEP 2 PHASE-Ex.,
WHEN FACING MOUNTING END (X)

STEP	A	B	A\	B\	
1	+	+	-	-	↓ CCW ↑ CW
2	-	+	+	-	
3	-	-	+	+	
4	+	-	-	+	



REV	DESCRIPTION	DATE	DRN
2	change thread depth/motorlength	10.08.16	A.S.
1	TYPE OF CONNECTOR+WEIGHT	23.05.11	J.W.

Nanotec[®]
PLUG & DRIVE

PD2-04118L1804-3

SCALE FREE	APVD	S.H.	06.09.10
X ±0.5	CHKD		
1PL ±0.2	DRN	GYQ	06.09.10
2PL ±0.1	SIGNATURE		DATE
ANGLE ±30'			

STEPPING MOTOR

DWG.NO PD2-04118L1804-3