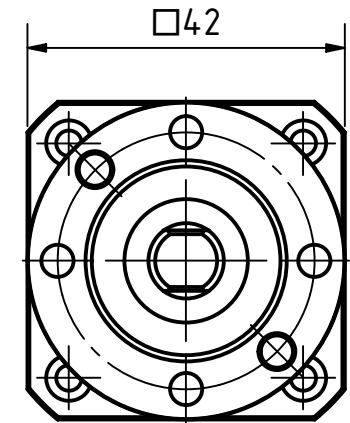
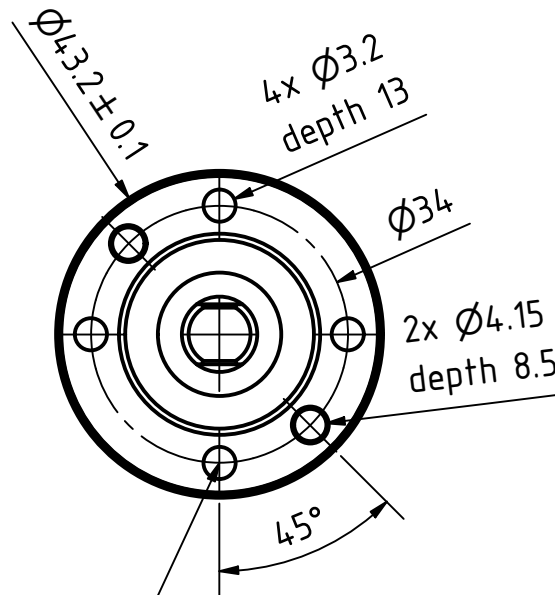
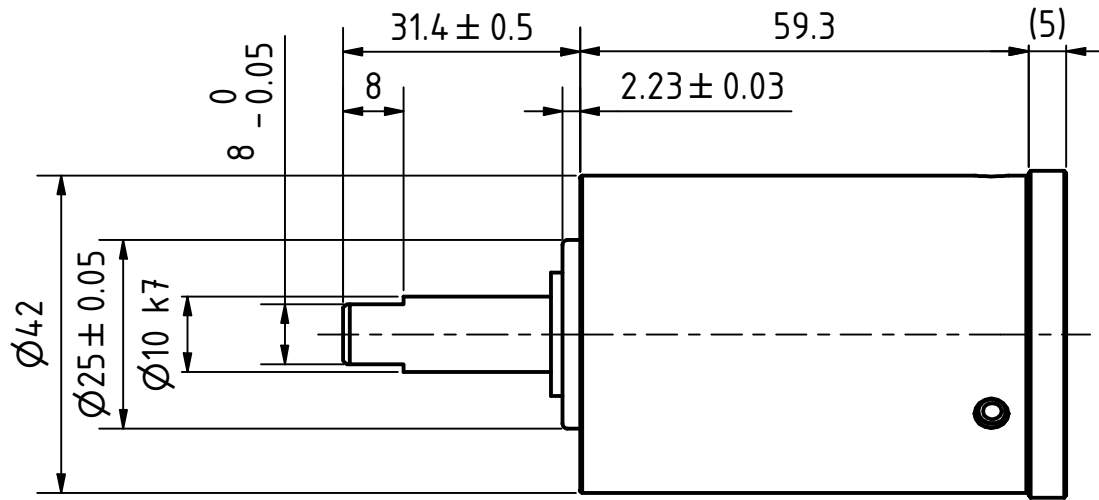
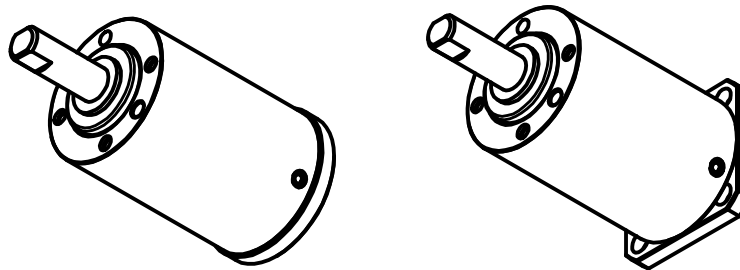


GPLK42-56 for DF45

GPLK42-56 for NEMA 17



use EJOT Delta PT screw  
WN5452 40x...  
Tmax. = 1.6 +0.2Nm



**GEARBOX SPECIFICATION**

Reduction Ratio		56.25
No. of Stages		2
Rated Output Torque	Nm	5.0
Max. Output Torque	Nm	10.0
Max. Input Speed	rpm	5000
Backlash	°	1.5
Efficiency	%	70
Lifetime	h	5000
Max. Axial Force	N	40
Max. Radial Force (shaft middle)	N	40
Ambient Temperature	°C	-15 ... 65

01

ISO 8015	ISO 1302	ISO 2768 cK	ISO 13715	Material:	Weight: ~0.18 kg	
			Date	Name	<b>GPLK42-56</b>	
			Drawn	18.10.2018		Schneid_A
			Reviewed	23.10.2018		Naubert_A
			Released	23.10.2018	Naubert_A	<b>12200028</b>
01	change max. amb. temp.	Schneid_A	09.11.2021	<b>Scale: 1 : 1</b> A4 Page 1		
REV	Rev. Text	Name	Date			<b>Nanotec</b> PLUG & DRIVE
				State: Released	Rev: 01	CONFIDENTIAL