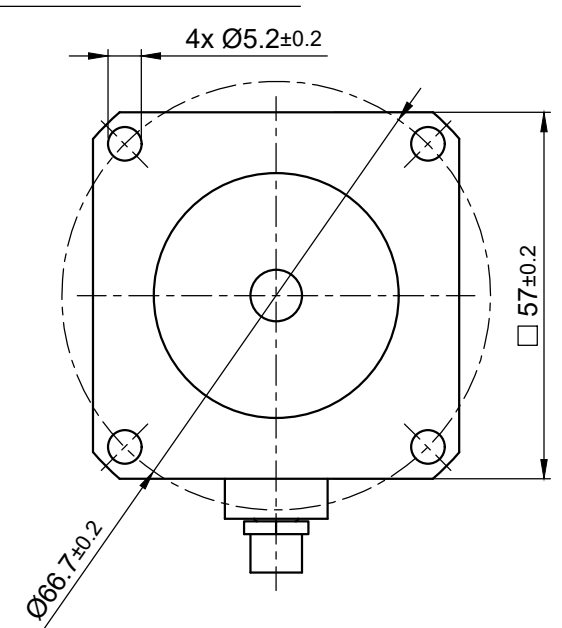
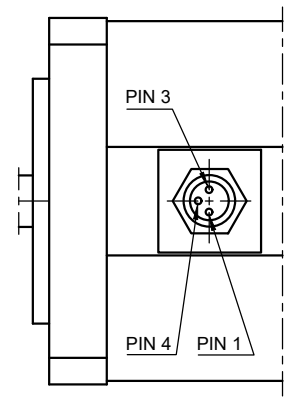


clamp fit:  
 screw tightening torque: 2.1 Nm  
 rec. shaft length:  
 10 - 14 mm



View X



BRAKE SPECIFICATION			PIN Assignment Brake	
Power Consumption	W	7.2	PIN1	Brake+
Static Brake Torque	Nm	≥1,5	PIN3	Brake-
Operating Voltage	±10% V DC	24	PIN4	n.c.
Max. Backlash	°	<0.5		
Dielectric Strength	V AC	1500		
Insulation Resistance	MΩ	100		
Insulation Class		F		
Protection Class		IP65		
Ambient Temperature	°C	-10..60		

ISO 8015	ISO 1302	ISO 2768 cK	ISO 13715	Weight: ~0.53 kg
04	change torque 3.8 to 2.1	Schneid_A	18.01.2022	<b>BRAKE-BCD56-1,5-8</b>
03	change shaft length	Micheli_M	30.08.2021	
02	Datasheet updated	Micheli_M	12.08.2021	
01	Dim. 14 max. to min.	Schneid_A	04.08.2021	
REV	Rev. Text	Name	Date	
<b>Nanotec</b> PLUG & DRIVE				20000975
State: Released		Rev: 04	CONFIDENTIAL	A4 Page 1