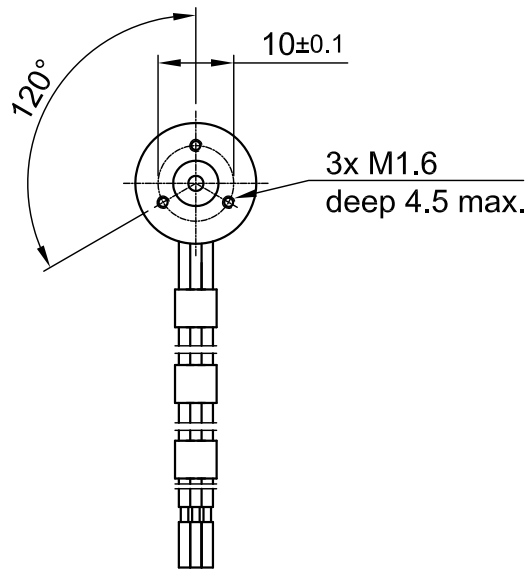
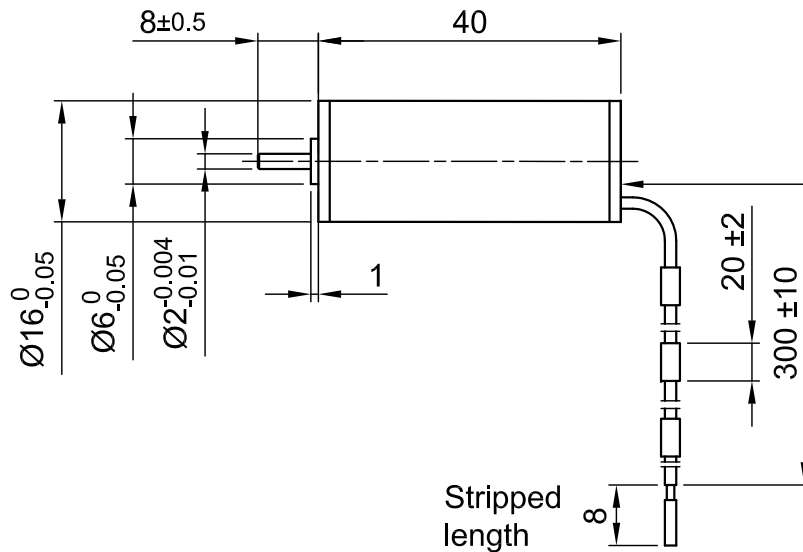


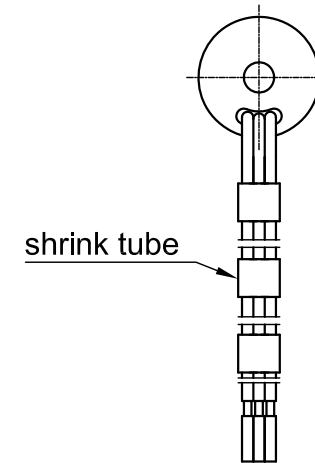
Front view and mounting



Side view



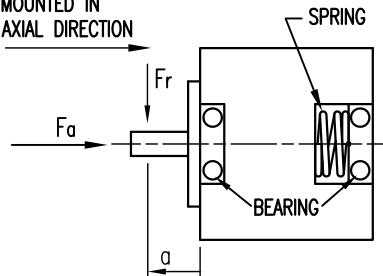
Rear view



SPECIFICATION	CONNECTION	STAR
NO. OF POL./PHASE		2/3
VOLTAGE RATED (VDC)		24
CURRENT RATED/PEAK (AMP)		0.5/ 1.6
RESISTANCE/PHASE TO PHASE (Ohms) @25°C		4.2 ±10%
INDUCTANCE/PHASE TO PHASE (mH) @1KHz		0.11 ±20%
TORQUE RATED/PEAK (mNm)		4/ 12
TORQUE CONSTANT (mNm/A)		7.5
POWER RATED (W)		10
SPEED RATED/NO LOAD (RPM)		25000/30000 ±10%
ROTOR INERTIA (Kg-m ²)		0.66x10 ⁻⁶
WEIGHT (Kg)		0.04

PERMISSIBLE RADIAL+AXIAL FORCE

ROTOR SPRING-MOUNTED IN AXIAL DIRECTION

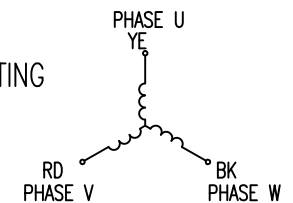


AXIAL-FORCE Fa (N)	Fr	Fr	
DISTANCE a (mm)	5	5	
INSULATION RESISTANCE 100 MOhm (UNDER NORMAL TEMPERATURE AND HUMIDITY)	RADIAL-FORCE Fr (N)	5 max.	
INSULATION CLASS B 130° [266°F]		AXIAL	RADIAL
DIELECTRIC STRENGTH 500VAC FOR 1 MIN. (BETWEEN THE MOTOR COILS AND THE MOTOR CASE)	SHAFT PLAY (mm)	0.14	0.02
AMBIENT HUMIDITY MAX. 85% (NO CONDENSATION)	AT LOAD MAX: (N)	4	4

WIRING DIAGRAM

	COLOR	FUNCTION	LEAD GAUGE
MOTOR 2 POL.	YE	U	UL1332 AWG24
	RD	V	
	BK	W	

THREE-PHASE CONNECTING STAR CONNECTION



				 Nanotec [®] PLUG & DRIVE			APVD	G.S.	17.03.15	BRUSHLESS DC MOTOR
A	-	20.08.15	A.S.				CHKD			
REV	DESCRIPTION	DATE	DRN	Surface specification DIN ISO 1302	General tolerances DIN ISO 2768- cH	Work piece edge DIN ISO 13715	DRN	A.S.	17.03.15	DS16M024250-A
							SIGNATURE	DATE		