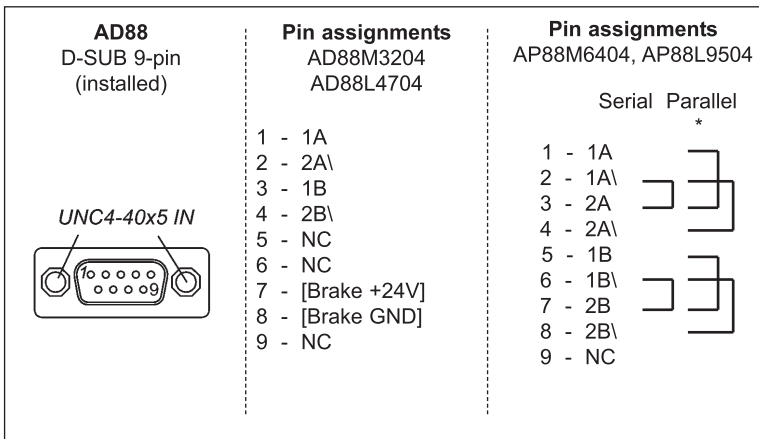
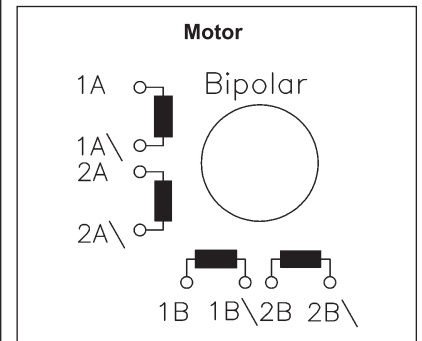
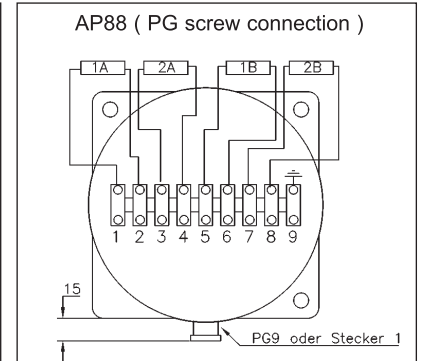
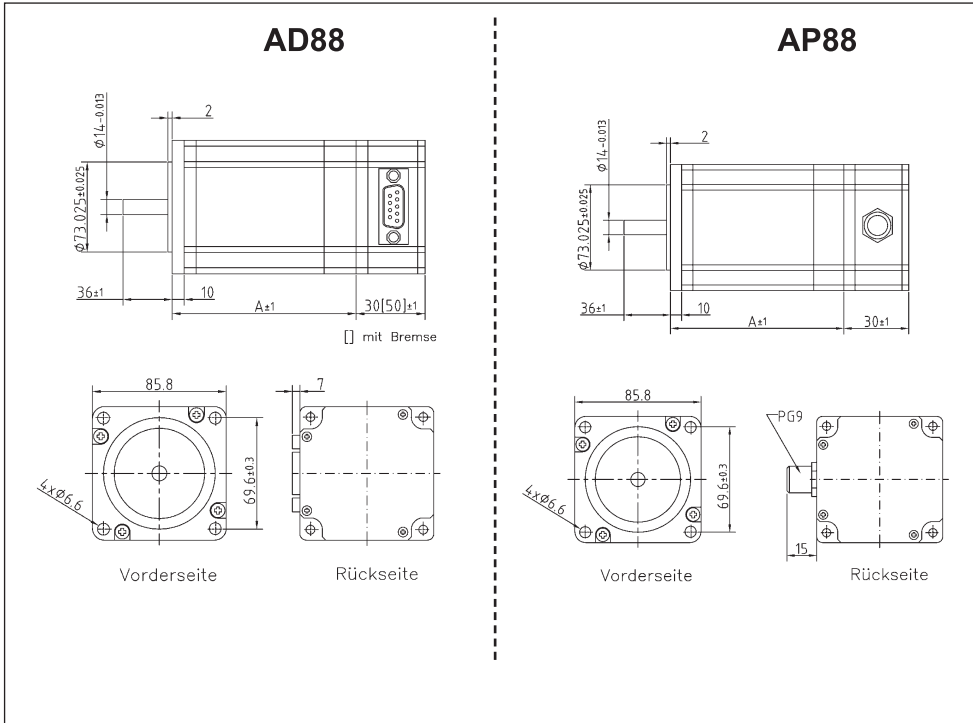


AD88, AP88 stepper motor with terminal box in protection class IP54

AD88 and AP88 dimensioned drawing for flange size 86

Connector assignments



Ordering key: AD88L3204 - □ - A

D = D-SUB plug connection
P = PG screw connection

XX = Standard
MX = Brake BW(1.4NM)

AD.., AP.. = protection class IP54
Protection class IP65 on request

Suitable connecting cable - see page 92

Md characteristic curves for all models at www.nanotec.de

Available output sizes (others available on request)

Model	Current (A/phase)	Holding torque (N cm)	Resistance (Ohms/phase) + -10%	Inductivity (mH) + - 20%	Rotor moment of inertia (g cm ²)	Weight (kg)	Length "A" (mm)	Options (with encoder and brakes on request)
Flange size 86								
A.88S3204 - .	3.18	283	1.0	6.4	1400	1.75	66	PLE60,BW
A.88S6404 - . *	6.36	283	0.25	1.6	1400	175	66	PLE80
A.88M3204 - .	3.2	594	0.9	12	2700	3.1	96	PLE60, BW
A.88M6404 - . *	6.4	594	0.23	3.0	2700	3.1	96	PLE80
A.88L4704 - .	4.7	933	0.9	10.8	4000	4.2	126	PLE80, BW
A.88L9504 - . *	9.5	933	0.23	2.65	4000	4.2	126	PLE80

* parallel