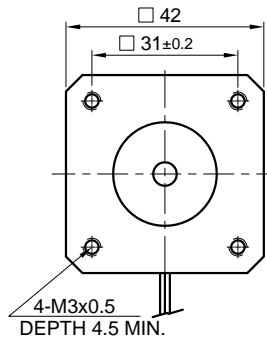
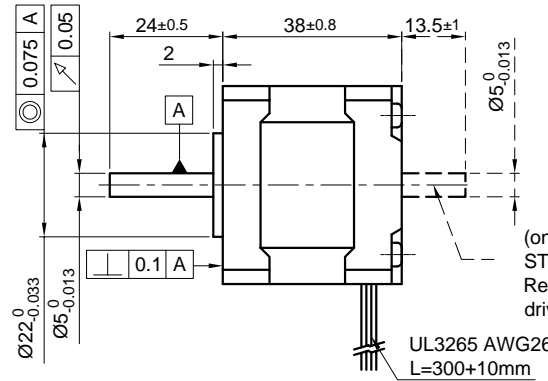


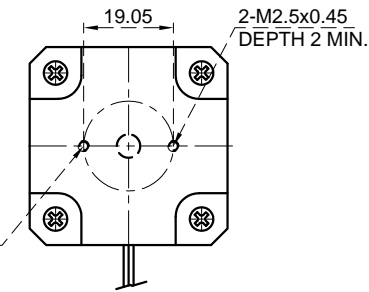
Front view and mounting



Side view

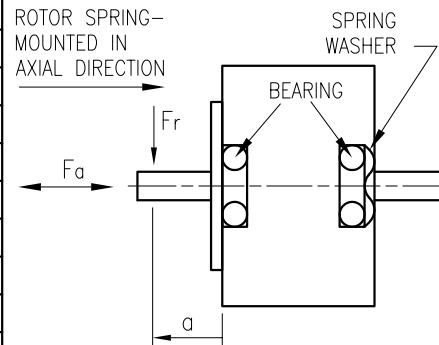


Rear view



SPECIFICATION	CONNECTION	
	UNIPOLAR OR BIPOLAR-1 WINDING	BIPOLAR SERIAL
VOLTAGE (VDC)	6.7	9.47
AMPS/PHASE	0.7	0.49
RESISTANCE/PHASE (Ohms)@25°C	9.5±15%	19±15%
INDUCTANCE/PHASE (mH) @1KHz	11.8±20%	47.2±20%
HOLDING TORQUE (Nm) [lb-in]	0.28 [2.478]	0.396 [3.505]
DETENT TORQUE (Nm) [lb-in]	0.98x10 <sup>-2</sup> [8.673x10 <sup>-2</sup> ]	
STEP ANGLE (°)	1.8	
STEP ACCURACY (NON-ACCUM)	±5%	
ROTOR INERTIA (Kg-m <sup>2</sup> ) [lb-in <sup>2</sup> ]	4.8x10 <sup>-6</sup> [0.0164]	
WEIGHT (Kg) [lb]	0.27 [0.60]	
TEMPERATURE RISE: MAX.80°C (MOTOR STANDSTILL; FOR 2 PHASE ENERGIZED)		
AMBIENT TEMPERATURE -10°~ 50°C [14°F ~ 122°F]		
INSULATION RESISTANCE 100 MOhm (UNDER NORMAL TEMPERATURE AND HUMIDITY)		
INSULATION CLASS B 130° [266°F]		
DIELECTRIC STRENGTH 500VAC FOR 1 MIN. (BETWEEN THE MOTOR COILS AND THE MOTOR CASE)		
AMBIENT HUMIDITY MAX. 85% (NO CONDENSATION)		

PERMISSIBLE RADIAL+AXIAL FORCE



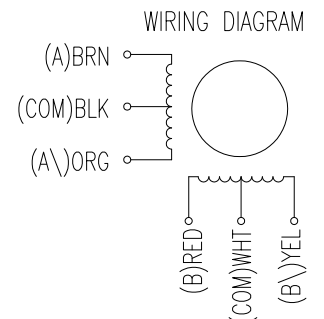
	AXIAL-FORCE Fa (N)	
	5	10
TEMPERATURE RISE: MAX.80°C (MOTOR STANDSTILL; FOR 2 PHASE ENERGIZED)	Fa=7	
AMBIENT TEMPERATURE -10°~ 50°C [14°F ~ 122°F]	5	10
INSULATION RESISTANCE 100 MOhm (UNDER NORMAL TEMPERATURE AND HUMIDITY)	58	36
INSULATION CLASS B 130° [266°F]	26	20
DIELECTRIC STRENGTH 500VAC FOR 1 MIN. (BETWEEN THE MOTOR COILS AND THE MOTOR CASE)	AXIAL	RADIAL
AMBIENT HUMIDITY MAX. 85% (NO CONDENSATION)	0.075	0.025
	SHAFT PLAY (mm)	
	AT LOAD MAX: (N)	
	10	5.0

UNIPOLAR	TYPE OF CONNECTION (EXTERN)		MOTOR	
	1WINDING	BIPOLAR SERIAL	LEADS	WINDING
A ---	A ---	A ---	BRN	A
COM ---	COM ---	COM ---	BLK	COM
A\ ---	A\ ---	A\ ---	ORG	A\
B ---	B ---	B ---	RED	B
COM ---	COM ---	COM ---	WHT	COM
B\ ---	B\ ---	B\ ---	YEL	B\

for >speed ←  
for <speed ←

FULL STEP 2 PHASE-Ex.,  
WHEN FACING MOUNTING END (X)

STEP	A	B	A\	B\	CCW
1	+	+	-	-	↓
2	-	+	+	-	↑
3	-	-	+	+	↓
4	+	-	-	+	↑



REV	DESCRIPTION	DATE	APVD	NANOTEC:	SCALE	FREE	APVD	S.K.	26.04.06	STEPPING MOTOR
					X	±0.5		CHKD		
					1PL	±0.2		DRN	J.W.	24.04.06
					2PL	±0.1				DWG.NO
					ANGLE	±30'		SIGNATURE	DATE	ST4018M0706