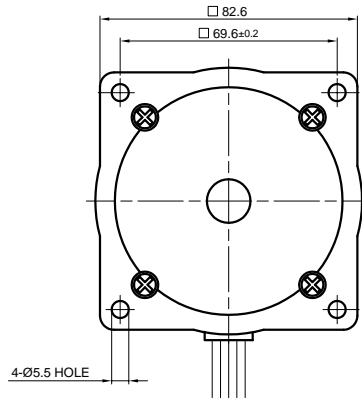
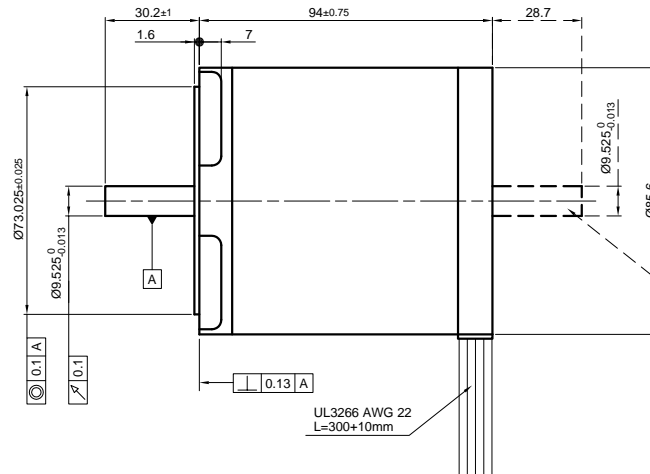


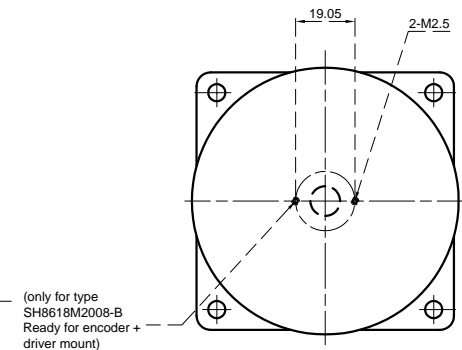
Front view and mounting



Side view



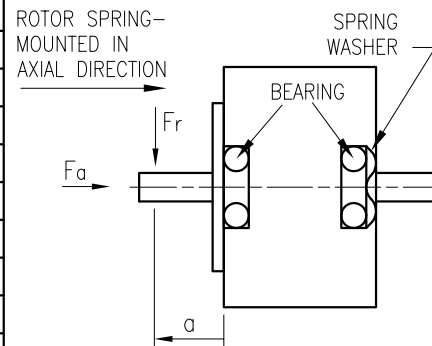
Rear view



(only for type SH8618M2008-B Ready for encoder + driver mount)

SPECIFICATION	CONNECTION	UNIPOLAR OR BIPOLAR-1 WINDING	BIPOLAR	
			SERIAL	PARALLEL
VOLTAGE (VDC)		6.0	8.46	4.25
AMPS/PHASE		2.0	1.41	2.83
RESISTANCE/PHASE (Ohms)@25°C		3.0±15%	6.0±15%	1.5±15%
INDUCTANCE/PHASE (mH) @1KHz		18±20%	72±20%	18±20%
HOLDING TORQUE (Nm) [lb-in]		2.6 [23.01]	3.68 [32.57]	3.68 [32.57]
DETENT TORQUE (Nm) [lb-in]		0.078 [0.69]		
STEP ANGLE (°)		1.8		
STEP ACCURACY (NON-ACCUM)		±5%		
ROTOR INERTIA (Kg-m ²) [lb-in ²]		1.1x10 ⁻⁴ [0.376]		
WEIGHT (Kg) [lb]		2.65 [5.843]		
TEMPERATURE RISE: MAX.80°C (MOTOR STANDSTILL; FOR 2 PHASE ENERGIZED)				
AMBIENT TEMPERATURE -10~ 50°C [14°F ~ 122°F]				
INSULATION RESISTANCE 100 MOhm (UNDER NORMAL TEMPERATURE AND HUMIDITY)				
INSULATION CLASS B 130° [260°F]				
DIELECTRIC STRENGTH 500VAC FOR 1 MIN. (BETWEEN THE MOTOR COILS AND THE MOTOR CASING)				
AMBIENT HUMIDITY MAX. 85% (NO CONDENSATION)				

PERMISSIBLE RADIAL+AXIAL FORCE

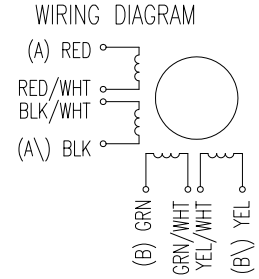


	AXIAL-FORCE Fa (N)			
	5	10	15	20
DISTANCE a (mm)	Fa=25			
RADIAL-FORCE Fr (N)	228	169	139	100
SHAFT PLAY (mm)	AXIAL	RADIAL		
	0.075	0.025		
AT LOAD MAX: (N)	10	5.0		

UNIPOLAR	TYPE OF CONNECTION (EXTERN)			MOTOR	
	1WINDING	BIPOLAR SERIAL	BIPOLAR PARALLEL	LEADS	WINDING
A	A	A	A	RED	A
COM				RED/WHT	
A\		A\	A\	BLK/WHT	A\
B	B	B	B	BLK	B
COM				GRN	
B\		B\	B\	GRN/WHT	B\
				YEL/WHT	
				YEL	

FULL STEP 2 PHASE-Ex., WHEN FACING MOUNTING END (X)

STEP	WINDING				DIRECTION
	A	B	A\	B\	
1	+	+	-	-	CCW
2	-	+	+	-	↑
3	-	-	+	+	
4	+	-	-	+	CW



REV	DESCRIPTION	DATE	APVD	NANOTEC:	SCALE	FREE	APVD	S.K.	20.07.06	STEPPING MOTOR
				SH8618M2008	X	±0.5	CHKD			
					1PL	±0.2	DRN	J.W.	17.07.06	
					2PL	±0.1	SIGNATURE		DATE	
					ANGLE	±30'				
										DWG.NO
										SH8618M2008