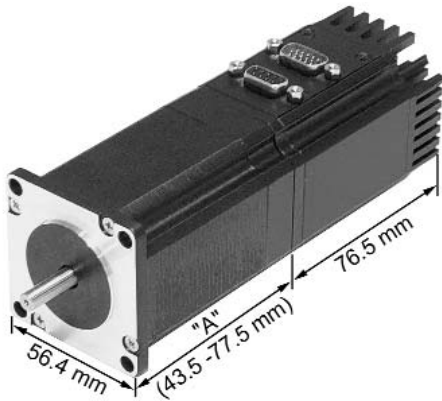


Series PD4-I57

Stepper Motor with integrated Speed and Positioning Control

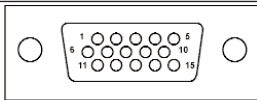


Technical Data:

Operating Voltage:	DC 24 to 48 V
Phase Current:	adjustable to max. 4 A / Phase
Interface:	RS485
Operation Modes:	Position, Speed, Flagposition, Clock-Direction
Step resolution:	Full- (1/1), Half-, Quarter-, Fifth-, Eighth-, 1/10 step
Step frequency:	0 to 30kHz in clock-direction mode, 0 to 20kHz in all other modes
Inputs:	6 optocoupler-inputs (24 V)
Outputs:	3 transistor outputs (open collector)
Current down:	adjustable (25%, 50%, 75%, none)
Protective circuit:	Overtoltage and thermal switching off >80 °C
Temperature range:	0 bis + 40 °C
Connection type:	D-SUB 15 for I/O and power, D-SUB 9 for RS-485

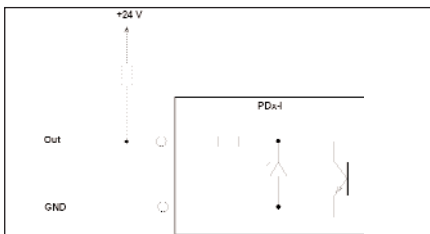
Attention: A link capacitor of at least 4.700 µF has to be provided in the supply voltage.

Pin Assignment D-SUB 15

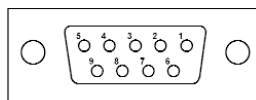


Pin-Nr.	Name	Remarks
1	Input 5	+24 V Optocoupler
2	Input 4	+24 V Optocoupler
3	Input 3	+24 V Optocoupler
4	Input 2	+24 V Optocoupler
5	Input 1	+24 V Optocoupler
6	+ 48 V	POW +24 bis +48 V
7	Input 6	+24 V Optocoupler
8	Output 3	Overtemp. Open Coll.
9	Com	Common (-) for Optoc.
10	GND (0V)	POW GND (0V)
11	+ 48 V	POW +24 bis +48 V
12	NC	Not used
13	Output 2	Open Collector
14	Output 1	Open Collector
15	GND (0V)	POW GND (0V)

Output Circuit



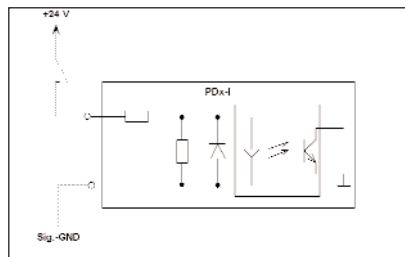
Pin Assignment RS485



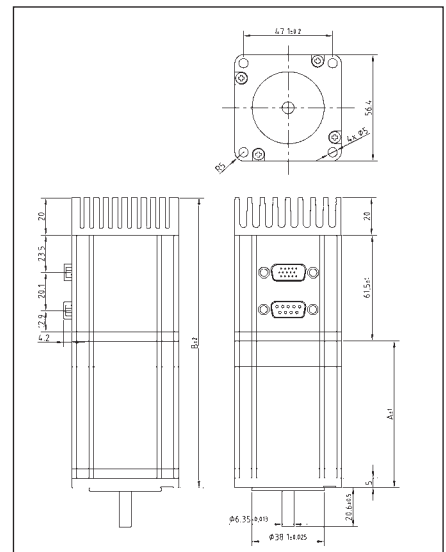
Pin-Nr.	Name	Remarks
1	NC	not used
2	A	RS-485 Rx+
3	+5 V	Output +5 V
4	Y	RS-485 Tx+
5	NC	not used
6	NC	not used
7	B	RS-485 Rx-
8	GND	Output GND (0V)
9	Z	RS-485 Tx-

Input Circuit

Optocoupler 24 V, I=10 mA



Dimensions



Type	Holding Torque Ncm	Operating Voltage	Step Resolution	Weight kg	"A" mm	Options
PD4-I5709X3208	55	24-48 V	400;800;1600;2000;3200;4000	0.76	43.5	PLE40
PD4-I5709S3208	92	24-48 V	400;800;1600;2000;3200;4000	0.96	52.5	PLE40
PD4-I5709L3208	108	24-48 V	400;800;1600;2000;3200;4000	1.30	77.5	PLE40
PD4-I5718X3208	40	24-48 V	200;400; 800;1000;1600;2000	0.76	43.5	PLE40
PD4-I5718S3208	69	24-48 V	200;400; 800;1000;1600;2000	0.96	52.5	PLE40
PD4-I5718L3208	170	24-48 V	200;400; 800;1000;1600;2000	1.30	77.5	PLE40
PD4-I5718D3208	255	24-48 V	200;400; 800;1000;1600;2000	2.06	115	PLE40