

Charging Capacitor

for SMC and PDx-I



VERSIONS

Type	Capacity μF	Max. Operating Voltage V	Temperature Range $^{\circ}\text{C}$	Capacitance Tolerance	Grid Dimensions mm	Dimensions
Z-K4700/50	4700	50	-40 to +85	$\pm 20\%$	10	Cylindrical aluminum cup, $\varnothing 25$ mm, 35 mm length
Z-K10000/100	10000	100	-40 to +85	$\pm 20\%$	20	Cylindrical aluminum cup, $\varnothing 40$ mm, 95 mm length

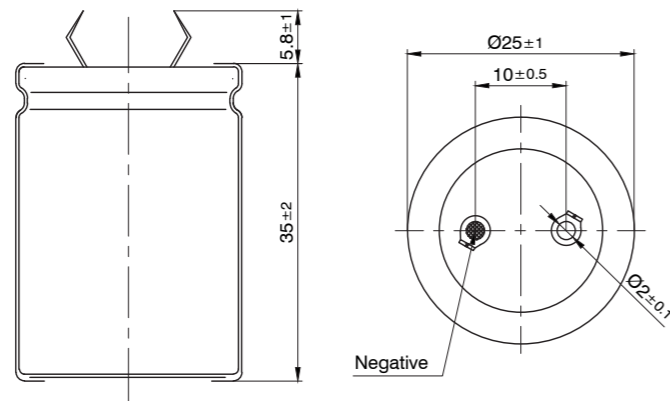
ORDER IDENTIFIER



Z-K4700/50

DIMENSIONS (IN MM)

Z-K4700-50



Charging Capacitor

for SMC and PDx-I



DIMENSIONS (IN MM)

Z-K10000-100

