

# Lead Screw

with ACME Thread



## ORDER IDENTIFIER



### SCREW-...-

200 = screw length, with end machining  
 300 = screw length, with end machining  
 1000 = screw length,  
 without end machining

## TECHNICAL DATA

<b>Screw Material</b>	stainless (not resistant to acid and salt water)
<b>Tensile Strength</b>	760 N/mm <sup>2</sup>
<b>Thread Lead Delay</b>	± 0.1/300 mm travel

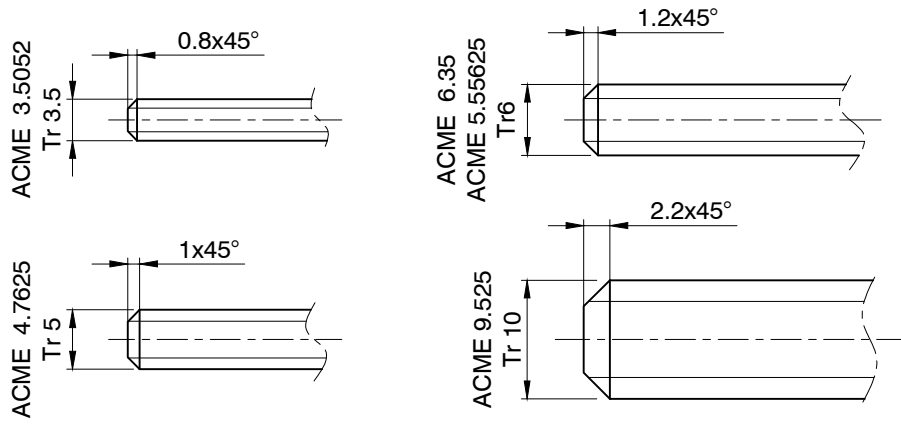
## VERSIONS

Type	Thread Diameter mm	Core Diameter mm	Thread Lead mm	Corresponding Motors	Standard Axial Play mm	Max. Axial Play mm	Material Number	Screw Length mm
SCREW-ABA-UGAQ-200	4.76	3.579	0.635	LA...-UGAQ	0.03	±0.06	1.4301	200
SCREW-ABA-UGAQ-300	4.76	3.579	0.635	LA...-UGAQ	0.03	±0.06	1.4301	300
SCREW-AAA-UGAQ-1000	4.76	3.579	0.635	LA...-UGAQ	0.03	±0.06	1.4301	1000
SCREW-ABA-UGFC-200	4.763	2.868	5.08	LA...-UGFC	0.04	±0.08	1.4301	200
SCREW-ABA-UGFC-300	4.763	2.868	5.08	LA...-UGFC	0.04	±0.08	1.4301	300
SCREW-AAA-UGFC-1000	4.763	2.868	5.08	LA...-UGFC	0.04	±0.08	1.4301	1000
SCREW-ABA-UIAP-200	5.56	4.402	0.6096	LA...-UIAP	0.04	±0.06	1.4301	200
SCREW-ABA-UIAP-300	5.56	4.402	0.61	LA...-UIAP	0.04	±0.06	1.4301	300
SCREW-AAA-UIAP-1000	5.56	4.402	0.6096	LA...-UIAP	0.04	±0.06	1.4301	1000
SCREW-ABA-UKAS-200	6.35	4.983	0.7938	LA...-UKAS	0.04	±0.07	1.4301	200
SCREW-ABA-UKAS-300	6.35	4.983	0.7938	LA...-UKAS	0.04	±0.07	1.4301	300
SCREW-AAA-UKAS-1000	6.35	4.983	0.7938	LA...-UKAS	0.04	±0.07	1.4301	1000
SCREW-ABA-UKBN-200	6.35	4.107	1.5875	LA...-UKBN	0.05	±0.08	1.4301	200
SCREW-ABA-UKBN-300	6.35	4.107	1.5875	LA...-UKBN	0.05	±0.08	1.4301	300
SCREW-AAA-UKBN-1000	6.35	4.107	1.5875	LA...-UKBN	0.05	±0.08	1.4301	1000
SCREW-ABA-UKDE-200	6.35	4.107	3.175	LA...-UKDE	0.05	±0.09	1.4301	200
SCREW-ABA-UKDE-300	6.35	4.107	3.175	LA...-UKDE	0.05	±0.09	1.4301	300
SCREW-AAA-UKDE-1000	6.35	4.107	3.175	LA...-UKDE	0.05	±0.09	1.4301	1000
SCREW-ABA-UKGI-200	6.35	4.107	6.35	LA...-UKGI	0.05	±0.09	1.4301	200
SCREW-ABA-UKGI-300	6.35	4.107	6.35	LA...-UKGI	0.05	±0.09	1.4301	300
SCREW-AAA-UKGI-1000	6.35	4.107	6.35	LA...-UKGI	0.05	±0.09	1.4301	1000

THREADED-SCREWS / NUTS

DIMENSIONS (IN MM)

SCREW-AAA-...



SCREW-ABA-...

