



OPTIONS



VERSIONS

Type	Current per Winding A	Holding Torque Ncm	Resistance per Winding Ohm	Inductance per Winding mH	Rotor Inertia gcm ²	Weight kg	Length „A“ mm
SC2818S0604	0.67	9	6.2	5.76	9	0.11	33
SC2818S1504	1.5	9	1.3	1	9	0.11	33
SC2818M0604	0.6	13.5	7.3	6.52	12	0.14	41
SC2818M1504	1.5	13.5	1,45	1.25	12	0.14	41
SC2818L0604	0.6	18	9.2	8.4	18	0.2	52.5
SC2818L1504	1.5	18	1.9	1.9	18	0.2	52.5

ORDER IDENTIFIER

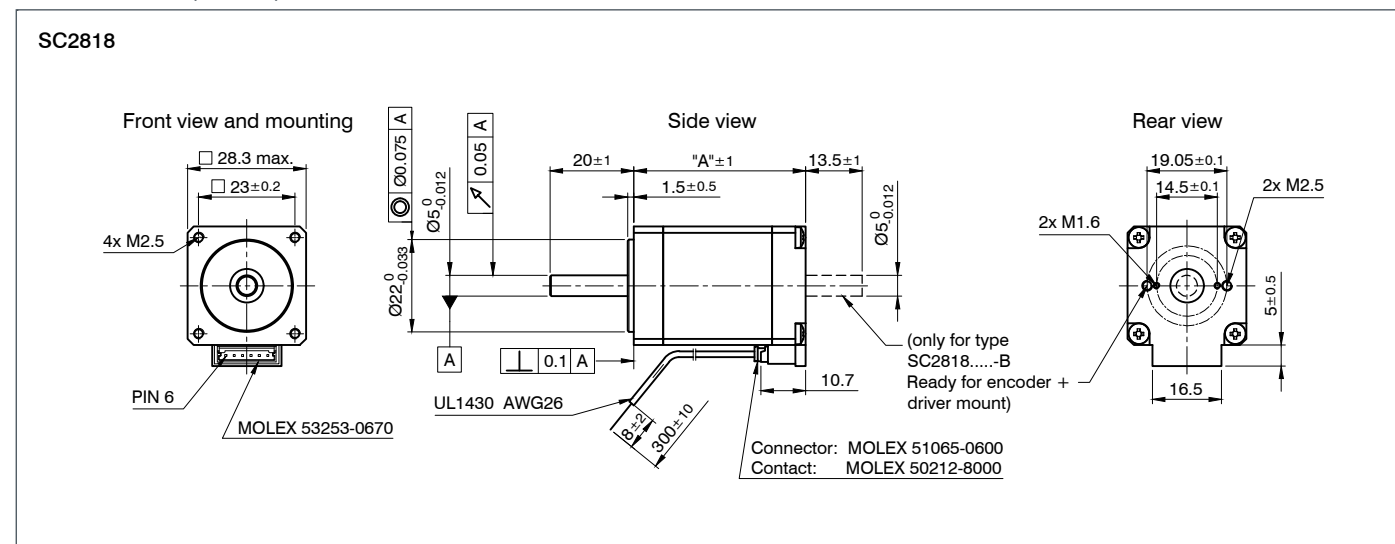
SC2818S0604-
A = single shaft end
B = double shaft end



ACCESSORIES

ZD-D28 Damper

DIMENSIONS (IN MM)



TORQUE CURVES

