



OPTIONS



SOFTWARE



TECHNICAL DATA

Operating Voltage	12 VDC - 48 VDC
Number of Digital Inputs	4 - 6
Type of Digital Inputs	24 V, 5/24 V switchable
Number of Analog Inputs	1
Type of Analog Input	0-10 V
Digital Outputs	1 - 2
Type of Digital Output	open-drain (max. 24 V/100 mA)
Encoder	✓
Encoder Type	single-turn absolute
Encoder Resolution	1024 CPR

VERSIONS

Type	Holding Torque Ncm	Rated Current (RMS) A	Peak Current (RMS) A	Interface	Length mm	Weight kg
PD4-C5918X4204	53.7	4.2	6.3	USB, IO (clock direction; analog), CANopen	65	0.6
PD4-C5918M4204	110	4.2	6.3	USB, IO (clock direction; analog), CANopen	79	0.8
PD4-C5918L4204	198	4.2	6.3	USB, IO (clock direction; analog), CANopen	100	1.2
PD4-C6018L4204	350	4.2	6.3	USB, IO (clock direction; analog), CANopen	112.5	1.6

ORDER IDENTIFIER

**PD4-C5918X4204-E-**  
 01 = USB,IO (clock direction; analog)  
 08 = CANopen

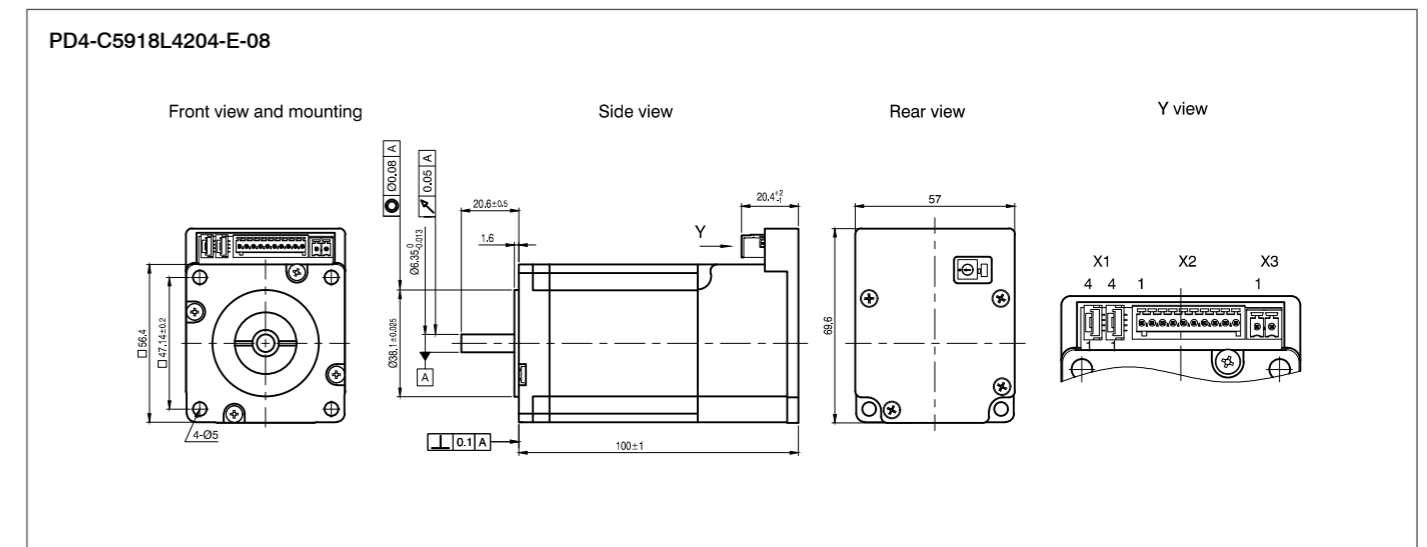
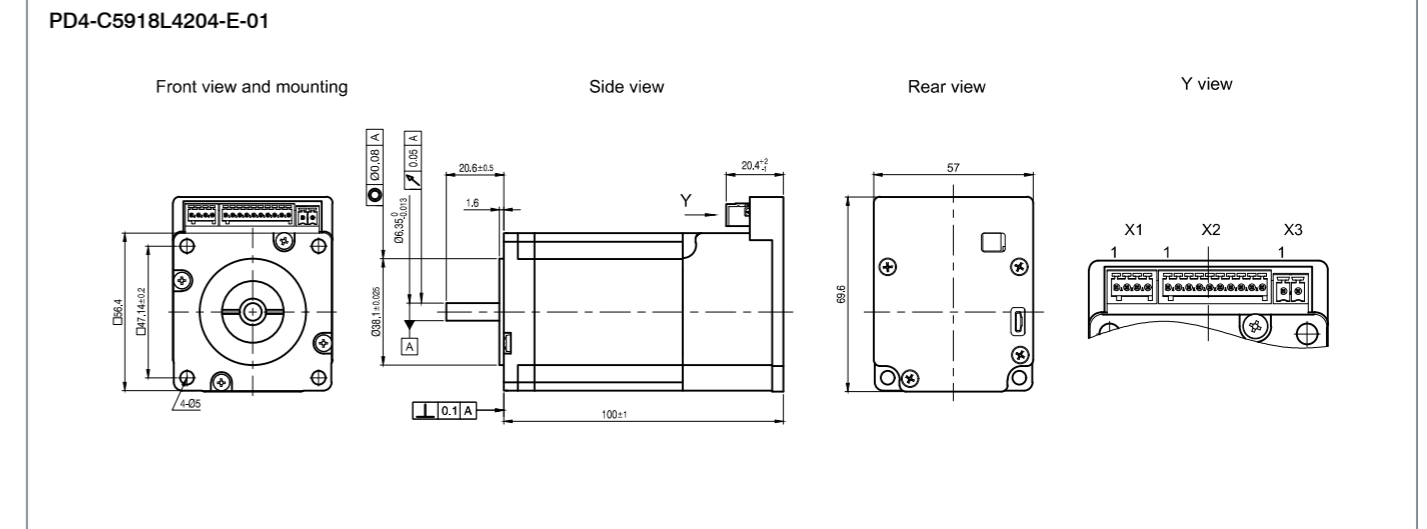
ACCESSORIES

**ZK-MICROUSB** Micro USB Cable 1.5 m  
**ZK-PD4-C-CAN-4-500-S**  
 CAN in/out Cable 0.5m  
**Z-K4700/50** Charging Capacitor  
**IO-PD4-C-01** IO Board for PD4-C-01  
**ZCPHOFK-MC0,5-4** Plug Connectors  
**ZCPHOFK-MC0,5-10** Plug Connectors  
**ZCPHOF-MC1,5-2** Plug Connectors

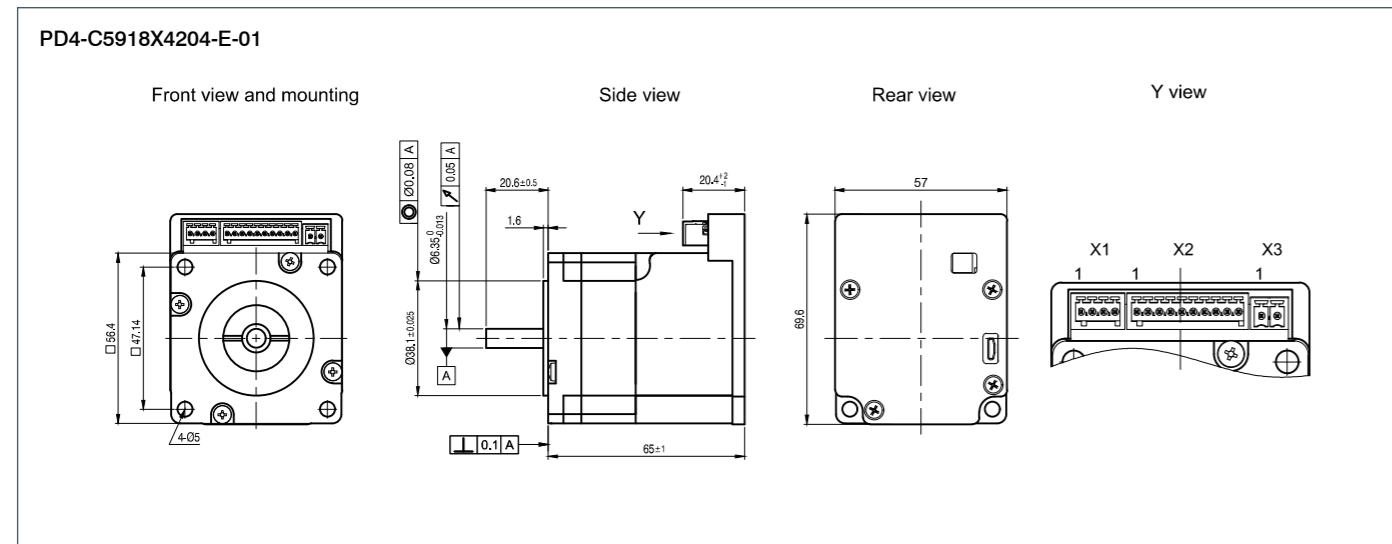
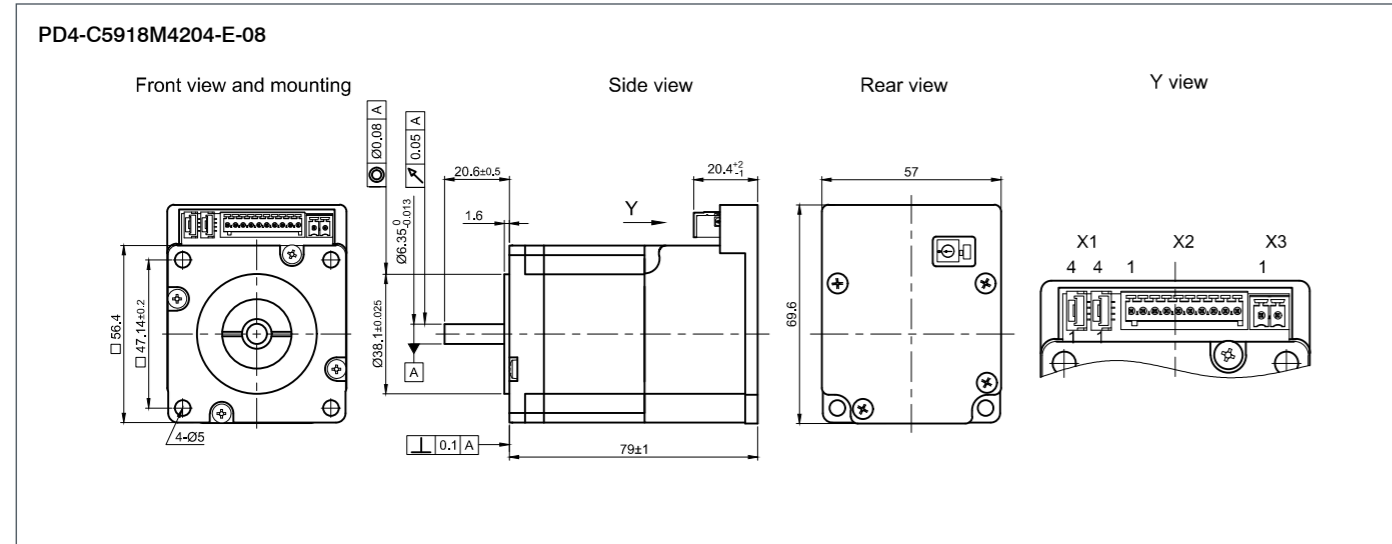
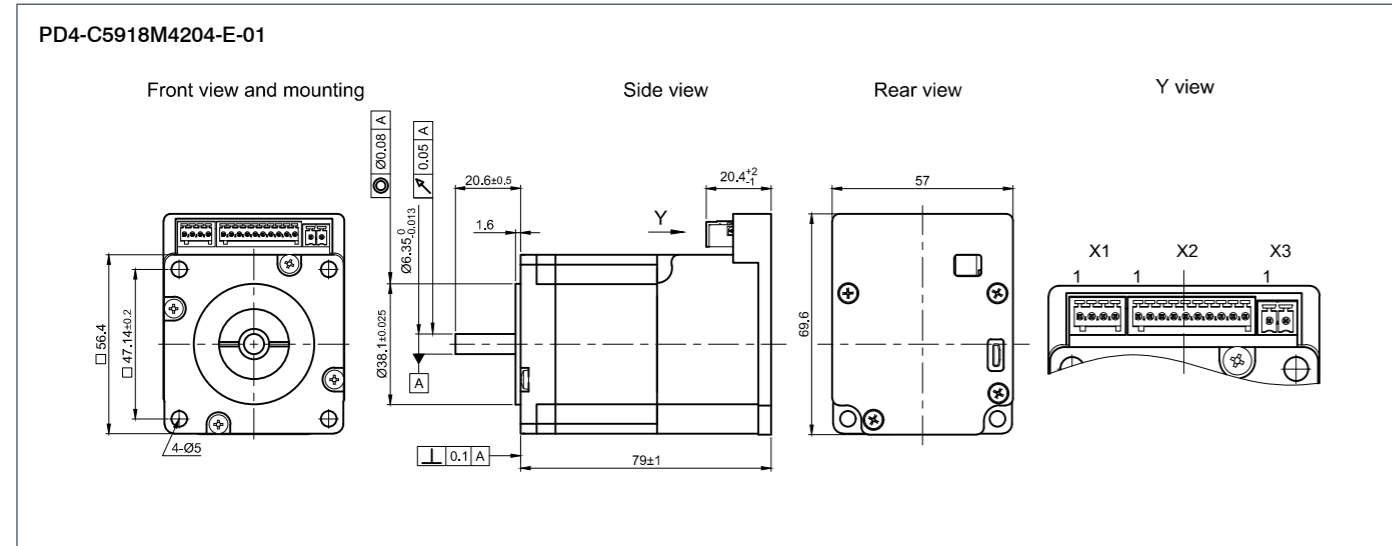
CAUTION

We recommend using a charging capacitor of sufficient size to stabilize the operating voltage.

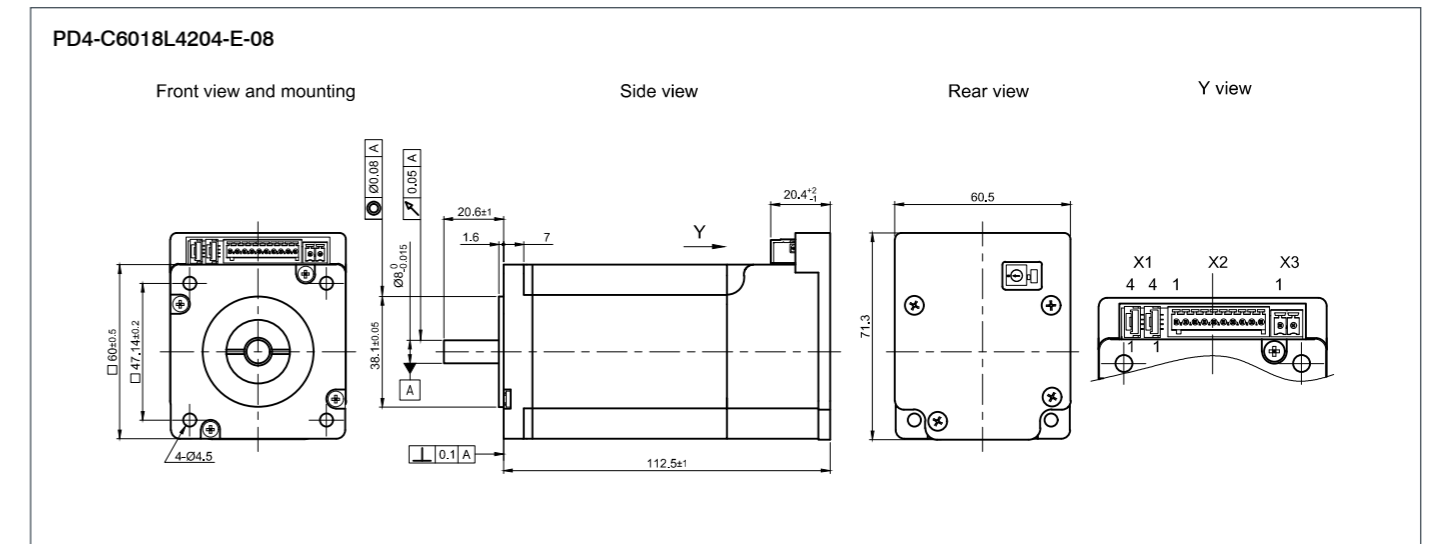
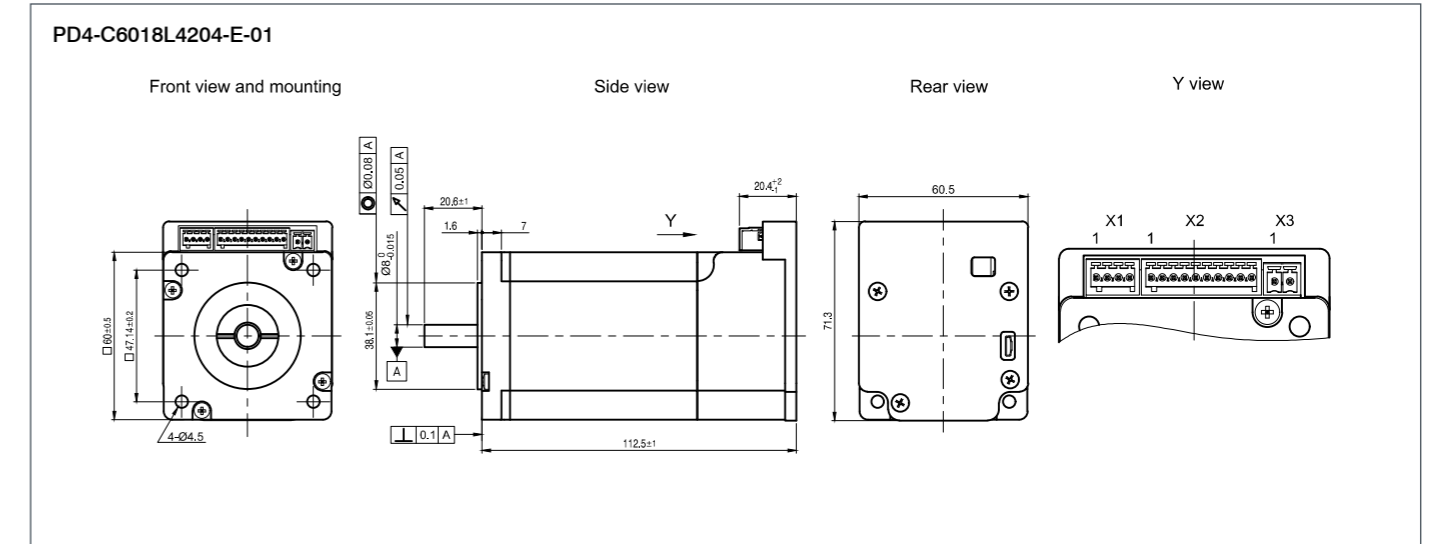
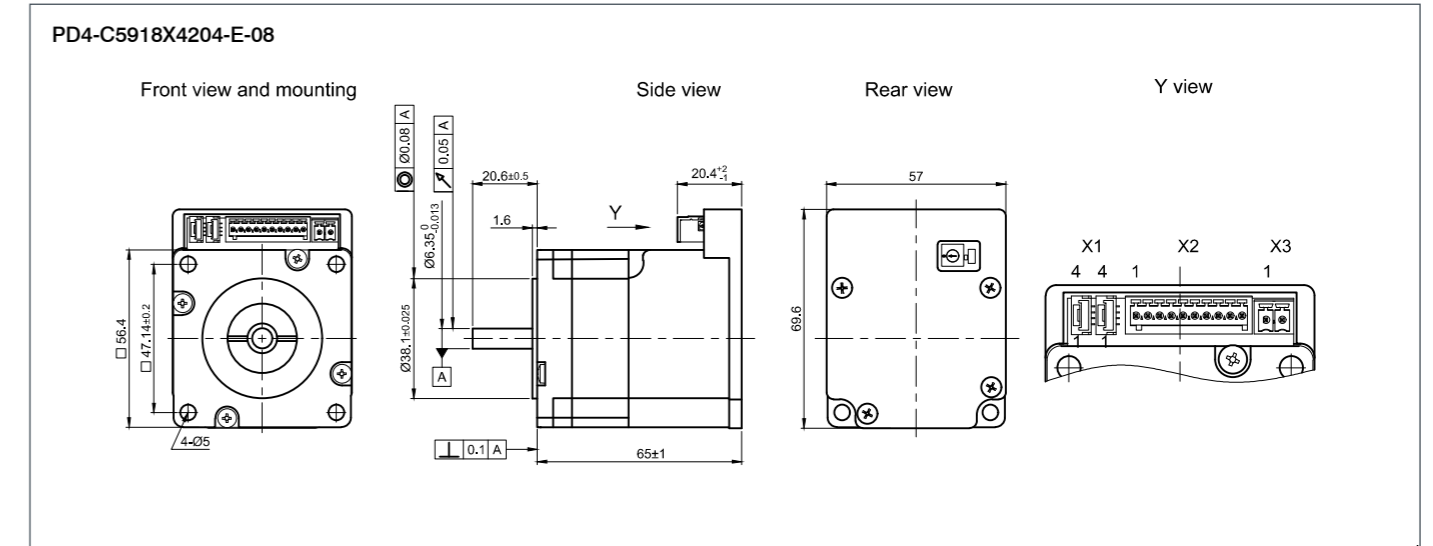
DIMENSIONS (IN MM)



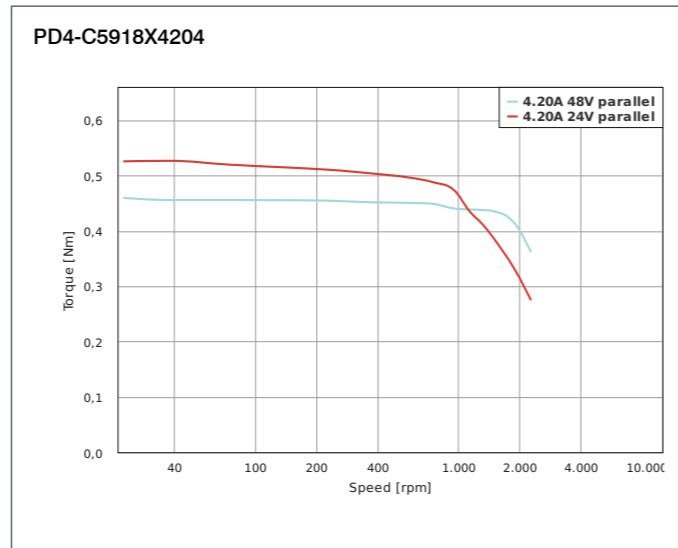
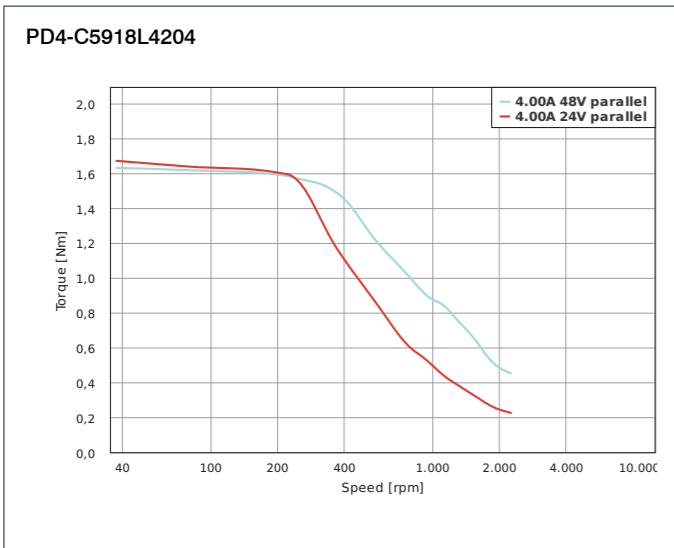
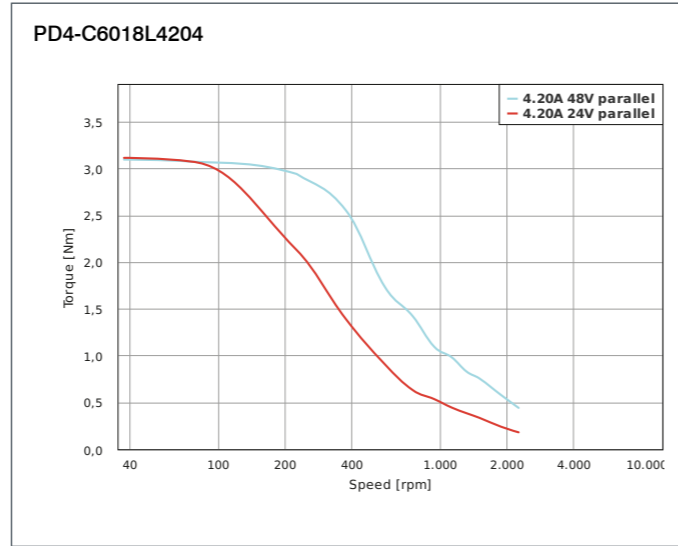
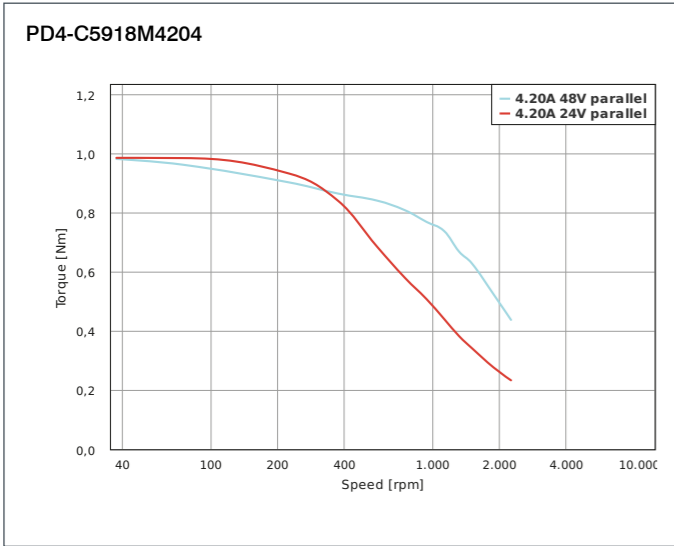
DIMENSIONS (IN MM)



DIMENSIONS (IN MM)



TORQUE CURVES



Notes section with horizontal lines for writing.